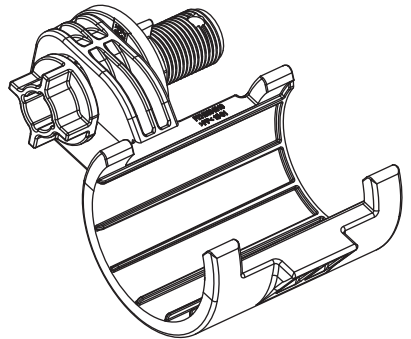
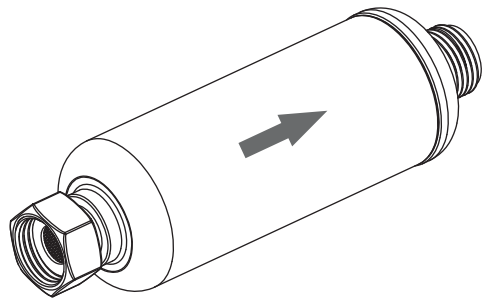


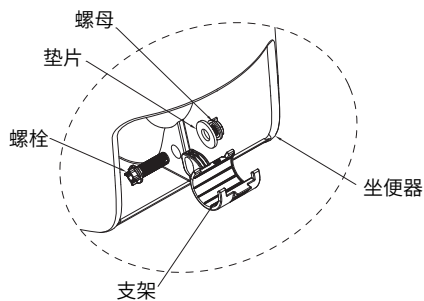
hangrohe

Service

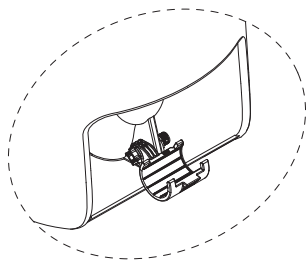


过滤器带支架 / Filter with holder

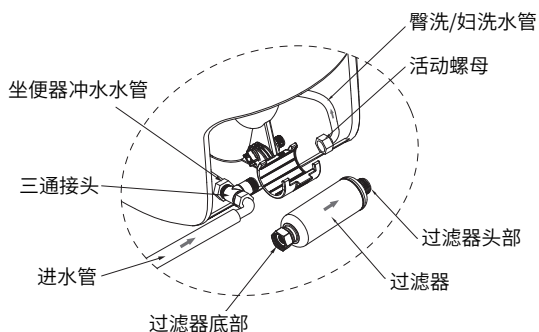
22404007



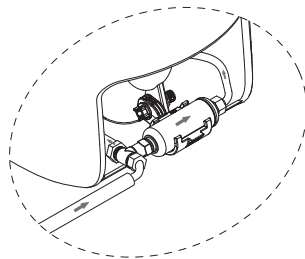
图一



图二



图三



图四

步骤一:如图一所示:将螺栓依次穿过支架、坐便器、垫片、螺母后,旋紧螺母将支架固定在坐便器上,安装后效果如图二。

步骤二:如图三所示:

- 1、将过滤器底部对准三通接头,然后顺时针旋紧过滤器;
- 2、将臀洗/妇洗水管的活动螺母对准过滤器头部,然后顺时针旋紧活动螺母;
- 3、将过滤器卡入固定架;
- 4、打开角阀,观察各连接位置是否安装到位,确保无漏水;
- 5、安装完成。

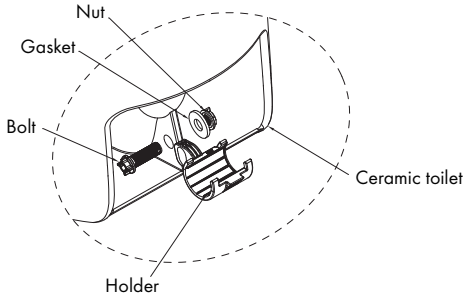


FIG. 1

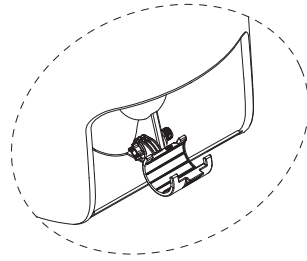


FIG. 2

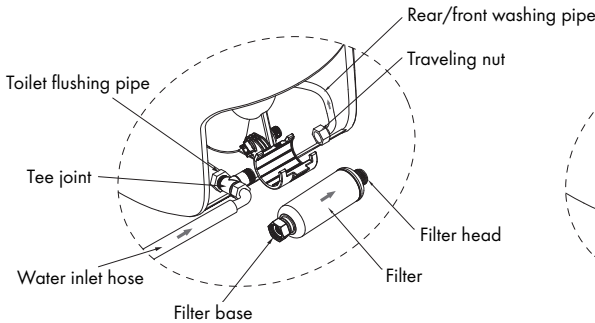


FIG. 3

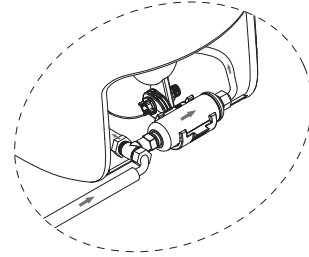



FIG. 4

Step 1: As shown in FIG. 1, pass the bolt through the holder, the toilet, the gasket, and the nut in sequence, and then tighten the nut to fix the holder on the toilet. The post-installation sketch is shown in FIG. 2.

Step 2: As shown in FIG. 3,

1. Align the filter base with the tee joint, and then tighten the filter traveling nut clockwise;
2. Align the traveling nut of the rear/front washing pipe with the filter head, and then tighten the traveling nut clockwise;
3. Snap the filter into the holder;
4. Open the angle valve to observe if all the connections are installed properly, and make sure that there is no water leakage;
5. Complete the installation.



 微信扫一扫，使用小程序

hansgrohe

Hansgrohe · AuestraÙe 5 - 9 · D-77761 Schiltach · Telefon +49 (0) 78 36/51-1282 · Telefax +49 (0) 7836/51 1440
E-Mail: info@hansgrohe.com · Internet: www.hansgrohe.com

04/2023
9.072.63.51