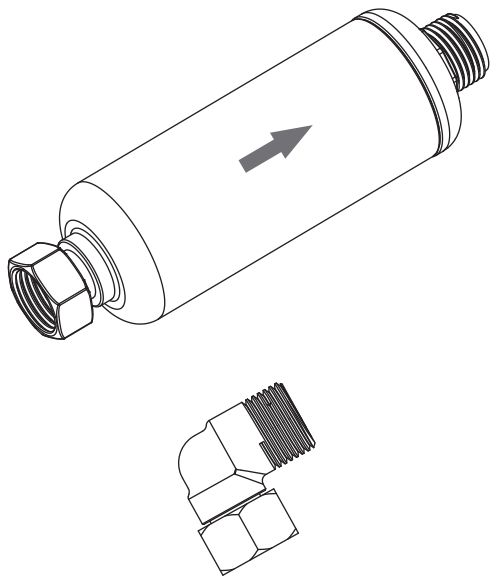


hansgrohe

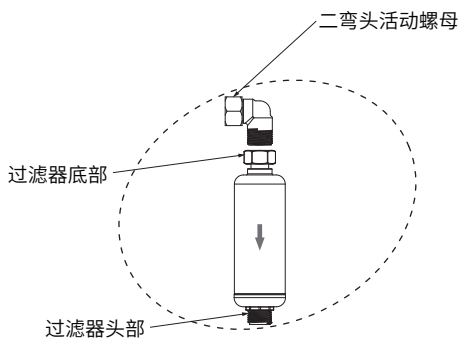


Filter with elbow

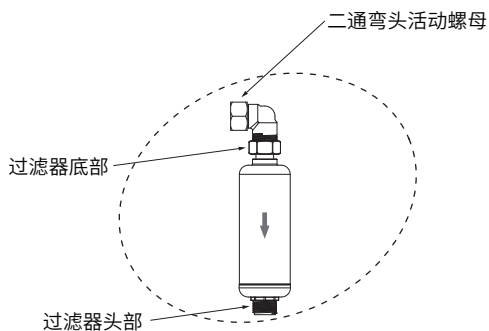
22407007



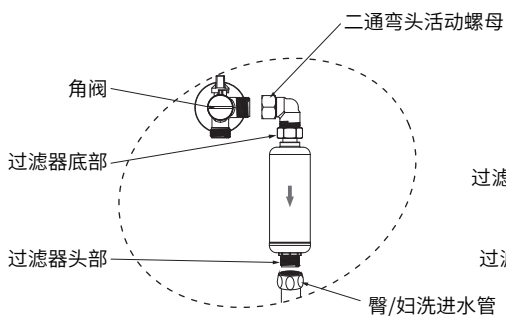
安装步骤:



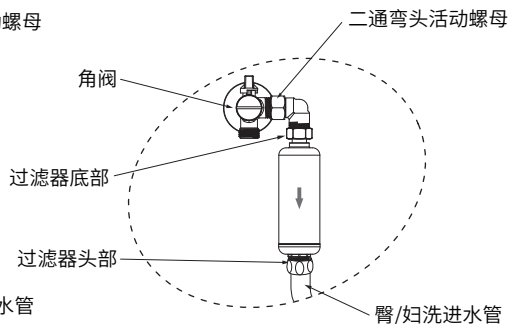
图一



图二



图三



图四

安装步骤:如图所示:

1. 将弯头外牙与过滤器底部对准, 顺时针旋紧过滤器, 使二者连接。
2. 将弯头活动螺母对准角阀外牙, 顺时针旋转活动螺母。
3. 过滤器头部与臀/妇洗进水管连接(注意不要误装到马桶水箱进水管)。
4. 打开角阀, 观察各连接部位是否安装到位, 确保无漏水。
5. 安装完成。



Installation Steps:

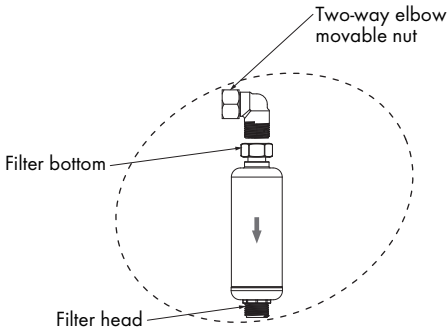


FIG. 1

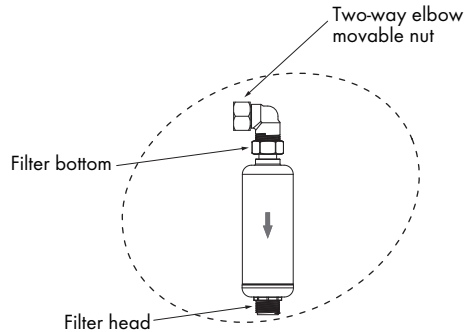


FIG. 2

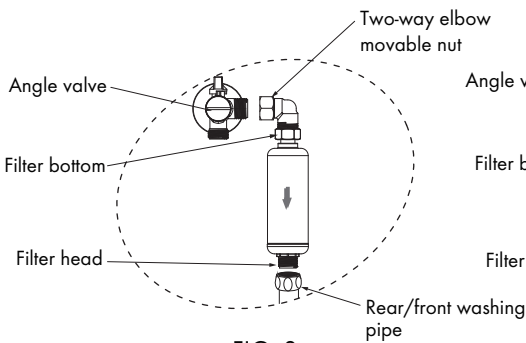


FIG. 3

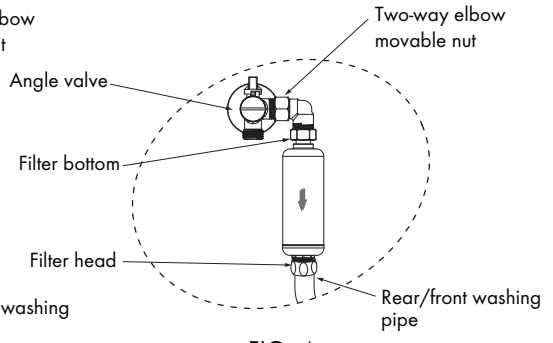



FIG. 4

Installation Steps: in the picture,

1. Align the external thread of the elbow with the bottom of filter and tighten the filter clockwise so that the two are connected.
2. Align the elbow movable nut with the external thread of angle valve and rotate the movable nut clockwise.
3. The filter head is connected with the rear/front washing pipe of the E-Bidet. (Be careful not connecting to the water inlet pipe of the toilet tank by mistake).
4. Open the angle valve to observe if all the connections are installed properly, and make sure that there is no water leakage.
5. Complete the installation.



 微信扫一扫，使用小程序

hansgrohe

Hansgrohe · AuestraÙe 5 - 9 · D-77761 Schiltach · Telefon +49 (0) 78 36/51-1282 · Telefax +49 (0) 7836/51 1440
E-Mail: info@hansgrohe.com · Internet: www.hansgrohe.com

04/2023
90958851