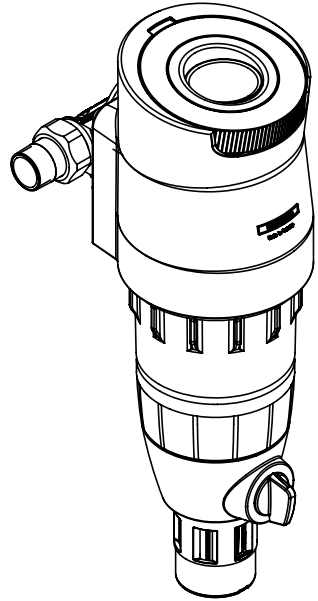


ZH 用户手册 / 组装说明

2

EN Instructions for use / assembly instructions

6



hansgrohe® HG POE BWF 82-S20型过滤器
Hansgrohe brand HG POE BWF 82-S20 filter
40917007

hansgrohe® HG POE BWF 82-S25型过滤器
Hansgrohe brand HG POE BWF 82-S25 filter
40922007

hansgrohe® HG POE BWF 82-S32型过滤器
Hansgrohe brand HG POE BWF 82-S32 filter
40923007



使用区域

- 反冲洗过滤器（带减压器）用作饮用水装置的配件。
- 过滤器也适用于自供水系统！

执行

- 所有可反洗的版本包括不锈钢过滤器元件（通道宽度 $40\ \mu\text{m}$ ）、排水漏斗、法兰密封、用于法兰安装的六角套筒螺钉、装配键、用于记忆过滤器维护的转盘和双压力计 $0 - 1.6\ \text{MPa}$ ($0 - 16\ \text{bar}$)。
- 还包括减压器。它可在 $0.15\ \text{mpa}$ ($1.5\ \text{bar}$) 和 $0.6\ \text{mpa}$ ($6\ \text{bar}$) 之间调节，出厂设置为 $0.4\ \text{MPa}$ ($4\ \text{bar}$) 输出压力。它有一个单独的压力设置的外部调整手柄。
- 所有使用的材料都符合公认的技术规则。

安全技巧

- △ 安装和维护只能由授权的专业公司进行。
- △ 装配时为避免挤压和切割受伤，必须戴上手套。
- △ 按照维护说明进行操作。
- △ 不要用含有溶剂的洗涤剂清洁塑料部件。
- △ 过滤器不得安装在具有 UV 照射（阳光）或溶剂蒸汽的区域。
- △ 保护过滤器免受霜冻。
- △ 在硬冲击或打击后，必须更换受影响的塑料部件（即使没有任何明显的损坏）。
- △ 必须避免强压力冲程（例如，通过后续的电磁阀）（破损风险）。
- △ 包装用作运输保护。如果包装严重损坏，阀门不应安装！

过滤器安装注意事项：

- 进、出水管尽量不要拐弯，以免影响水流。
- 安装时需考虑使用上的便利及保养时的移动空间。
- 安装后如有疑问请洽购买机器之经销商或打免费服务电话，本公司将派专人为您服务。

使用注意事项及维护保养

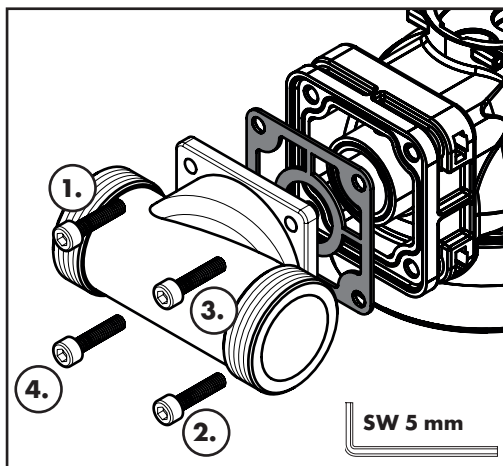
- 新机装置完毕后，请先将过滤器排污阀打开，待过滤器连续排水5分钟后，再开始使用。
- 过滤器长时间未使用时，请先将过滤器排污阀打开，待过滤器连续排水5分钟后，再开始使用。
- 设备使用流量明显下降时，请打开下放冲洗球

阀，进行冲洗。当达额定总净水量的市政自来水时，请更换滤芯。

- 滤芯更换方法：首先关闭总的进水阀门，然后用特殊扳手93482000（不包含在产品中）打开过滤器，取出内部的不锈钢滤网组件，重新装上新的同型号的不锈钢滤网组件，再装回过滤器，打开排污阀放水5分钟后使用。

安装提示

- 安装时，一定要遵循流量的方向！
- 流动方向由法兰上的箭头指示。可以在垂直和水平线上安装。所有过滤器都应与主轴垂直安装。
- 使用六角形螺钉将过滤器紧紧拧紧，并注意法兰垫片的正确配合。
- 注意：必须横向完成内六角螺钉的紧压拧紧！
- 将漏斗与排水管连接时，请确保其无张力。



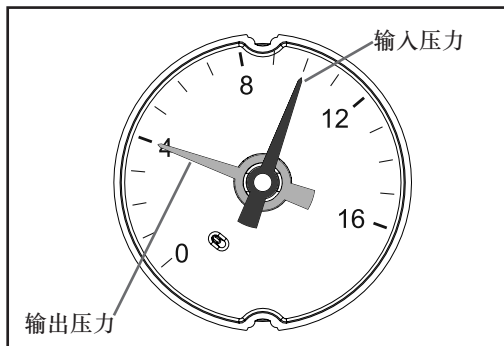
技术参数

网宽:	40 μm
最小工作压力:	0.2 MPa (2 bar)
最大工作压力:	1.6 MPa (16 bar)
工作温度:	5 - 30 °C
操作介质:	饮用水
流量 Δp 0.11 MPa (1.1 bar)	
DN 20:	2.3 m ³ /h
DN 25:	3.6 m ³ /h
DN 32:	5.8 m ³ /h



注意双压力计

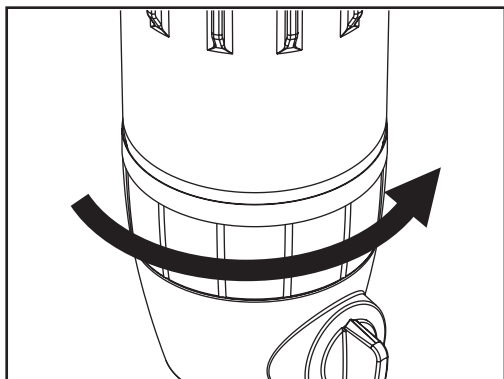
后冲洗过滤器的双压力计显示输入压力(黑色指针),同时设置输出压力(红色指针)。



设置输出压力

反冲洗滤芯的减压器在出厂时预设为 0.4 mpa (4 bar), 可设置在 0.15 mpa (1.5 bar) 至 0.6 MPa (6 bar) 范围内, 如下所示:

- A** 确保输入压力至少高于所需输出压力的 0.1 MPa (1 bar)。
- B** 将手柄顺时针旋转至停靠点(方向 "-")。打开并关闭附近的攻丝点以缓解压力。
- C** 现在, 在压力计的观察下, 逆时针旋转手柄(方向 "+"), 直达到达所需的输出压力。

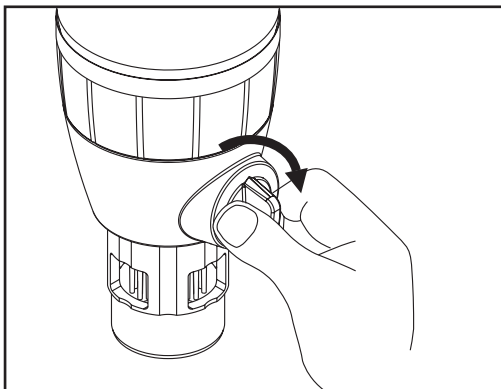


反冲洗

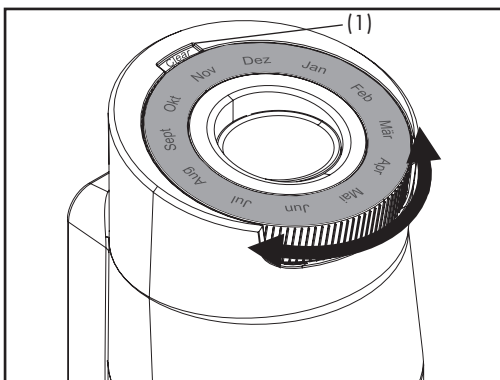
- 为了保证前置反冲洗过滤器正常工作, 根据 DIN1988第8部分必须至少每隔两个月当水流量减少时对过滤器进行反冲洗。
- 在反冲洗过程之前, 过滤器的排水漏斗应连接到排水管(例如, 插入式套管DN 50)。
- 注意: 排放量必须能够被排水管吸收。
- 或者, 您也可以在过滤器下方放置合适的容器。
- 容器可以到达漏斗的下边缘。

反冲洗应按如下方式进行:

- 顺时针旋转反洗手柄90°以冲洗过滤器。
- 完成反冲洗后, 将反洗手柄逆时针旋转90°至原位。
- 如有必要, 请重复此过程。



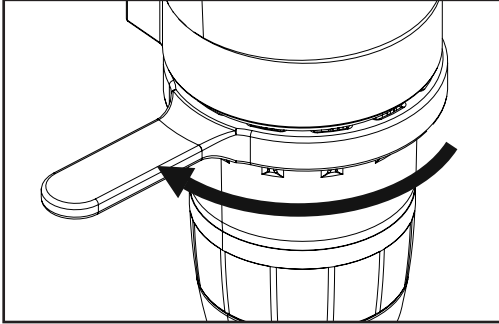
- 反洗完成后, 将转盘设置为必须进行下一次反洗的月份。
- 设定月份可在文本“清除”(1)上方读取。



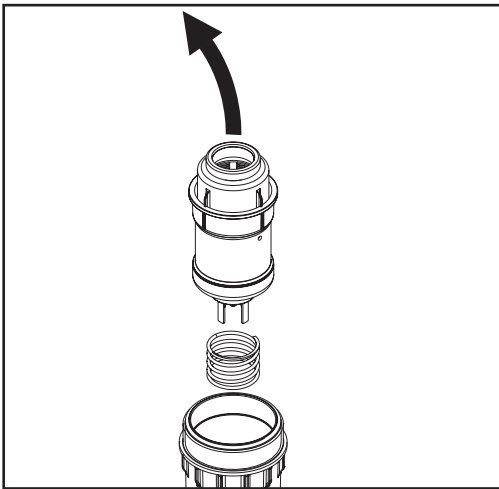


维修减压器

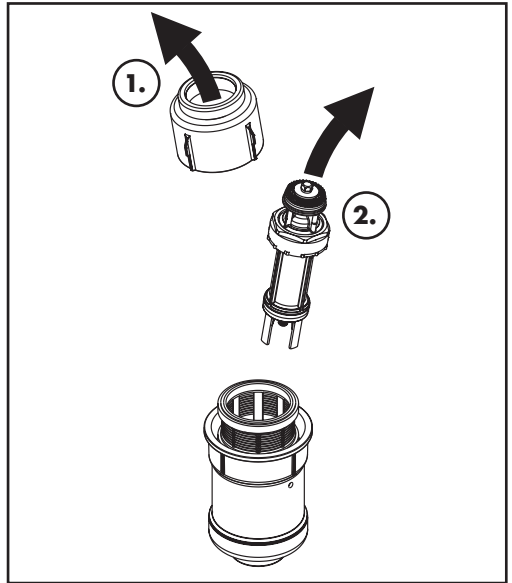
- 每年检查减压器筒的设定输出压力，必要时清洁或更换滤筒。
- 关闭过滤器前面的现场关闭装置（如有必要，也要关闭过滤器后面的关闭装置）。
- 顺时针旋转反洗手柄90°以释放压力（参见反冲洗部分）并返回原位。
- 使用过滤杯扳手 # 93482000 拧下过滤杯。



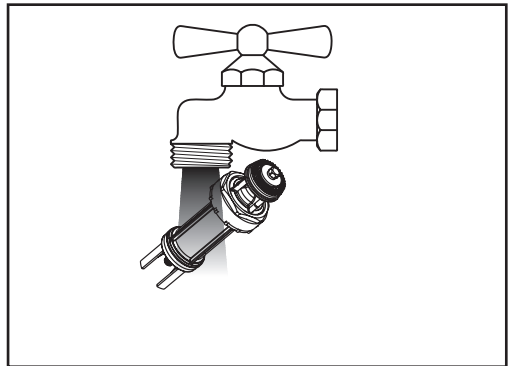
- 将减压器盒与吸入壳体 and 吸盘一起拉出。弹簧保留在过滤杯中。



- 首先取下盖子，然后将减压器盒从套筒中拉出。

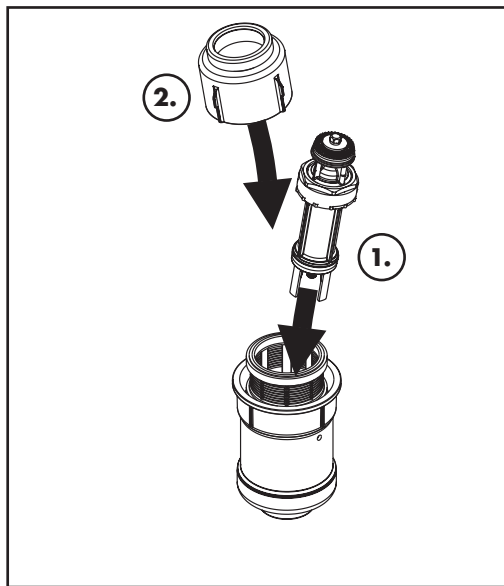


- 在冷的清水下清洁墨盒的膜。

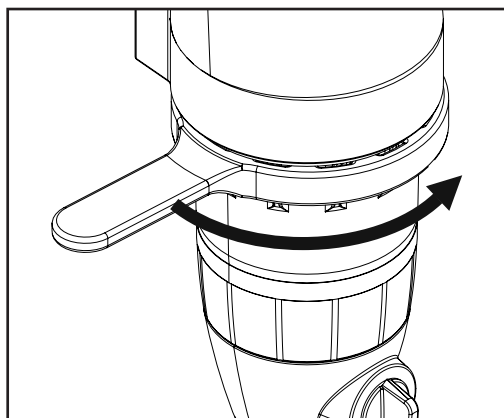




- 然后将减压器盒插回套管，将盖子插入套管。



- 注意弹簧的正确配合！
- 重新拧上滤杯。
- 注意O形圈的正确座位（必须松散地放在顶部螺纹上 - 不要越过螺纹）！



疑难解答

如果出口压力增加怎么办？

压力增加可能是由下游封闭式饮用水加热器（TWE）引起的，并且在TWE之前没有被防回流装置拦截。

如果关闭TWE的加热功能，移除热水后就不会出现这种现象。

如果不再发生这种影响，必须维修或更换TWE上安全组中的止回阀。

如果TWE加热器关闭后还出现这种情况，那么减压阀可能出现磨损。

在这种情况下，请按照第3页的“维护减压器”一节中的说明更换墨盒。

适用型号

型号

HG POE BWF 82-S20

HG POE BWF 82-S25

HG POE BWF 82-S32

产品功能：市政自来水经过 hansgrohe® HG POE BWF 82-S20型过滤器过滤，出水水质符合《生活饮用水水质处理器卫生安全与功能评价规范——一般水质处理器》（2001）要求。

适用范围：市政自来水

处理工艺：市政自来水 -> hansgrohe® 不锈钢滤芯组件 -> 净水

执行标准：Q/HSGH 01-2017 《hansgrohe® HG过滤器》

产品卫生许可批准文号：沪卫水进字(2019)第 0009 号



Application area

- The backwash filters (with pressure reducer) are used as fittings for the drinking water installations.
- The filters are also suitable for own-water supply systems!

Model

- All backwashable versions include a stainless steel filter element (passage width 40 µm), a drain funnel, a flange gasket, flange-mounted hexagon socket screws, a mounting wrench, a rotary disc for reminding about the filter maintenance and a 0 - 1.6 MPa (0-16 bar) dual pressure gauge.
- In addition, a pressure reducer is included. It is adjustable between 0.15 MPa (1.5 bar) and 0.6 MPa (6 bar) and is factory set to 0.4 MPa (4 bar) outlet pressure. It has an external adjustment handle for individual pressure adjustment.
- All materials used comply with the recognised rules of technology.

Safety Notes

- △ Installation and maintenance may only be carried out by an authorised specialist company.
- △ Gloves should be worn during installation to prevent crushing and cutting injuries.
- △ Take note of maintenance instructions!
- △ Do not clean plastic parts with solvent-based care products.
- △ Filters cannot be installed in areas with UV-radiation (sunshine) or solvent vapours
- △ Protect filter from frost
- △ After hard knocks or blows, the affected plastic part must be replaced (even if there is no visible damage).
- △ Strong pressure surges, for example, from solenoid valves in series are to be avoided (risk of breakage).
- △ The packaging serves as transport protection. The fitting must not be installed if there is considerable damage to the packaging!

Filter installation TIPS:

- Put the input and output tube straightly, to guarantee the water flow.
- To keep the convenience and space for usage when install the device.

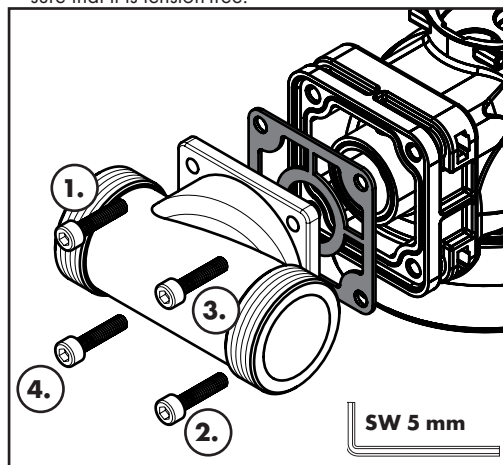
- Please call the hotline for free after installation if any problems, we will send service to you immediately.

Notice and maintenance

- After install the new device, please open the blow-down valve to keep the water flows for 5mins to flush the filter.
- If the filter not in use for a long time, please open the blow-down valve to keep the water flows for 5mins.
- Please open the flushing valve when the water flow down obviously. Please replace the filter at the end of lifetime of filter.
- Filter replacement: first to close the input valve, then open the filter with wrench tool 93482000 (not included), take out of the stainless steel element , replace with new, then put back, and open the blow-down valve for 5mins.

Installation Instructions

- Always take note of the flow direction when installing!
- The flow direction is indicated by an arrow on the flange. The installation in vertical and horizontal lines is possible. All filters should be installed vertically to the main axis.
- Tighten the filters pressure-tight with the hexagon socket screw, making sure in the process that the flange gasket is seated correctly.
- Attention: The pressure-tight tightening of the hexagon socket screws must be done crosswise!
- When connecting the funnel with a drain pipe, make sure that it is tension-free.



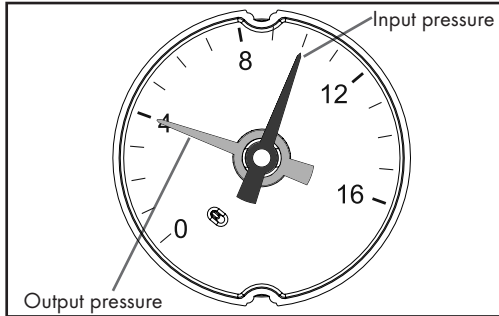


Technical Data

Passage width:	40 μm
Minimum operating pressure:	0.2 MPa (2 bar)
Maximum operating pressure:	1.6 MPa (16 bar)
Operating temperature:	5 - 30 °C
Operational medium:	Drinking water
Flow capacity Δp 0.11 MPa (1.1 bar)	
DN 20:	2.3 m ³ /h
DN 25:	3.6 m ³ /h
DN 32:	5.8 m ³ /h

Note dual pressure gauge

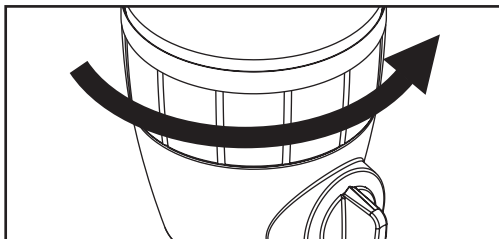
The dual pressure gauge of the backwash filter indicates the inlet pressure (black pointer) and at the same time the set output pressure (red pointer).



Adjust output pressure

The pressure reducer in the backwash filter is factory pre-set to 0.4 MPa (4 bar) and can be adjusted in the range of 0.15 MPa (1.5 bar) to 0.6 MPa (6 bar) as follows:

- A** Make sure that the inlet pressure is at least 0.1 MPa (1 bar) higher than the desired outlet pressure.
- B** Turn the handle clockwise until it stops (direction "-"). Open and close a nearby tap to relieve pressure.
- C** Turn the handle counterclockwise (direction "+") while observing the pressure gauge until the desired outlet pressure is reached.

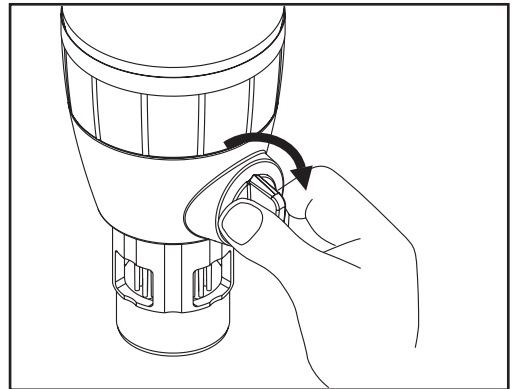


Backwashing

- In order to ensure proper operation, according to DIN 1988, Part 8, backwash filter must be backwashed at least every 2 months when water flow is reduced.
- Before the backwash process, the drainage funnel of the filter should be connected to a drain line (for example, plug-in sleeve DN 50)
- Attention: The discharge quantity must be able to be absorbed by the drainage line.
- Alternatively, you can also position a suitable vessel under the filter.
- The vessel may reach as far as the lower edge of the funnel.

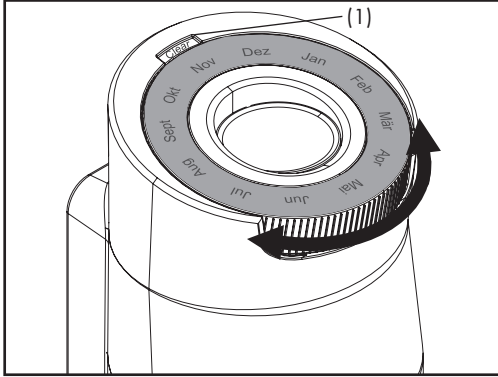
The backwash is to be carried out as follows.

- Turn the backwash handle 90 ° clockwise to backwash the filter.
- After completing the backwash, turn the backwash handle 90 ° counterclockwise back to the home position.
- Repeat this process as needed.



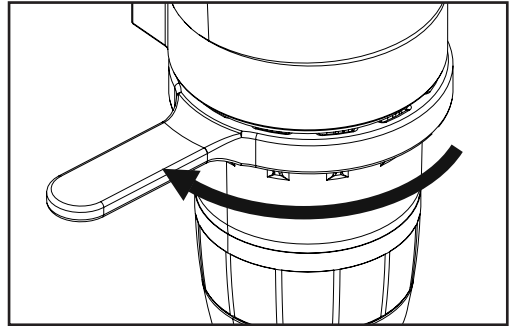


- After the backwash has been completed, set the rotary disc to the month in which the next backwashing must take place.
- The set month is readable above the "Clear" text (1).

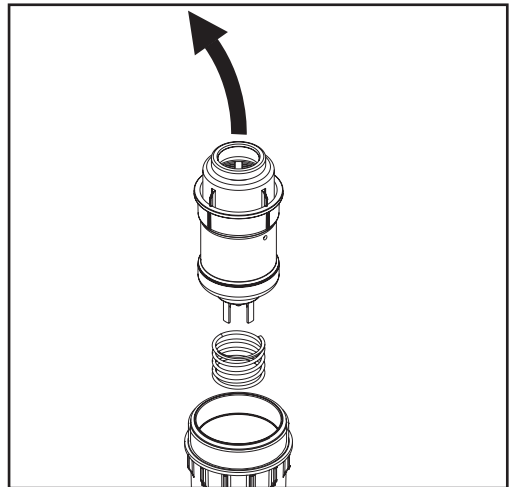


Pressure reducer maintenance

- Check the set output pressure of the pressure reducer cartridge annually and clean or replace the cartridge if necessary.
- Close the on-site shut-off in front of the filter (if necessary close the shut-off behind the filter as well).
- Turn the backwash handle 90 ° clockwise to cause pressure relief (see Backwash section) and return to the home position.
- Unscrew the filter cup using the filter cup wrench #93482000.

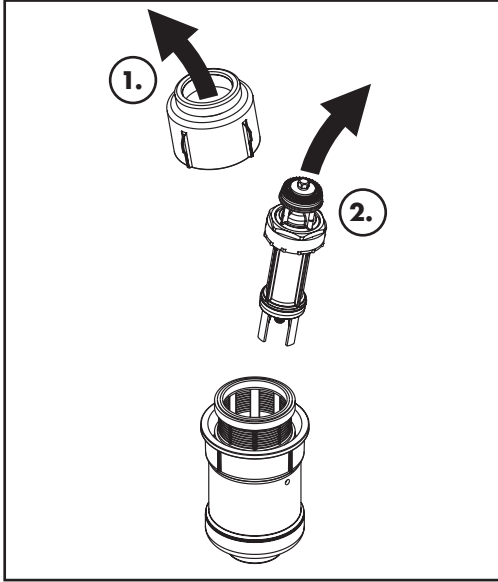


- Pull out the pressure reducer cartridge together with the suction housing and the suction cup. The spring remains in the filter cup.

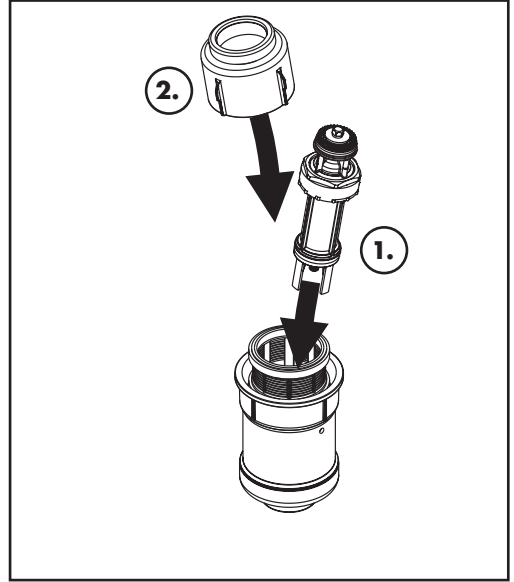




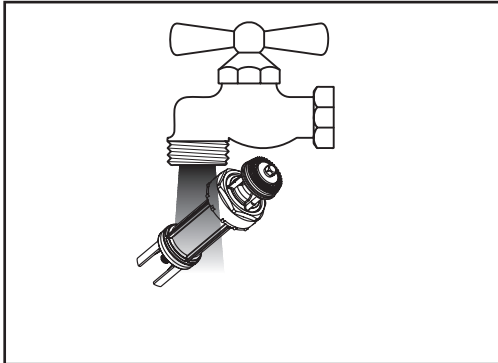
- First remove the covering and then pull the pressure reducer cartridge out of the sleeve.



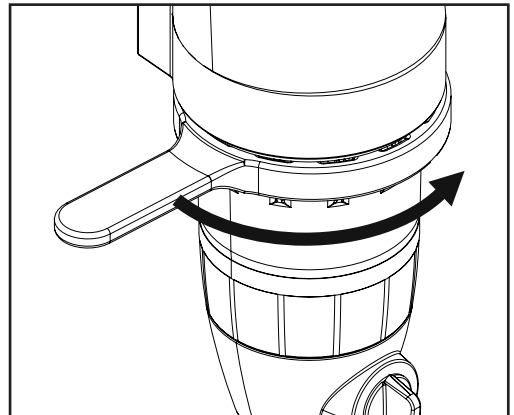
- Then insert the pressure reducer cartridge back into the sleeve and the covering onto the sleeve.



- Clean the membrane of the cartridge under cold, clear water.



- Pay attention to the correct seating of the spring
- Screw the filter cup back on
- Pay attention to the correct seating of the O-ring (must rest loosely over the topmost thread - do not strap over the thread)





Fault identification

What to do if the outlet pressure increases?

The increase in pressure is probably caused by a downstream closed drinking water heater (DWH) and is not reduced by the backflow preventer before the DWH.

If you switch off the heating of the DWH, this effect cannot occur after the extraction of hot water.

If the effect no longer occurs, the non-return valve in the safety group on the DWH must be serviced or replaced.

If the effect occurs even when the DWH heater is switched off, there is wear in the area of the pressure reducer cartridge.

In this case, replace the cartridge as described in the "Pressure Reducer Maintenance" section on Page 3.

Applicable model

Model

HG POE BWF 82-S20

HG POE BWF 82-S25

HG POE BWF 82-S32

Product function: tap water flow through Hansgrohe brand HG POE BWF 82-S20 filter, and the output water quality meet the requirement of standard for Hygienic safety and functional evaluation of domestic and drinking water quality processors (2001).

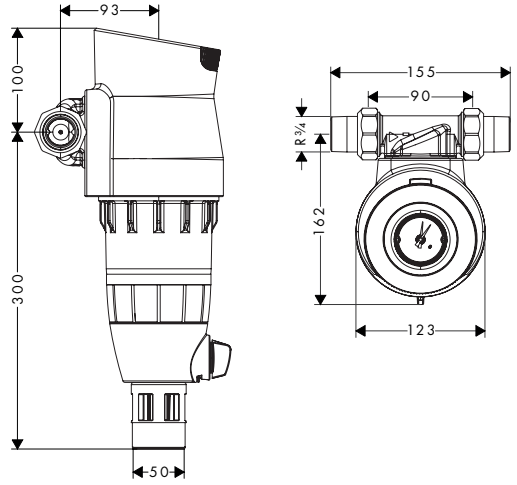
Suitable range: municipal water

Treatment process: municipal water -> Hansgrohe brand stainless steel filter element -> clean water

Executive standard: Q/HSGH 01-2017 (Hansgrohe brand HG filter)

Product health license approval No.: 沪卫水进字(2019)
第 0009 号

hansgrohe® HG POE BWF 82-S20型过滤器
Hansgrohe brand HG POE BWF 82-S20 filter
 40917007



技术参数

Technical parameter

型号 Model	净水流量 (m ³ /h) Rate of flow (m ³ /h)	额定总净水量(m ³) Total water flow (m ³)	工作压力 (MPa) Work pressure (MPa)
HG POE BWF 82-S20	2.3*	1000	0.2 - 1.6

* 此数据为实验室测试数据，仅供参考。具体视乎当地水源水质和使用情况而定

*The data is base in laboratory test, only for reference. Depending on the local water quality and use situation.

名称 Article	材料 Material	规格 (型号) Specification	用量(件) Pcs	使用年限(年) Service life period (years)
hansgrohe® 不锈钢滤芯组件 Hansgrohe brand stainless steel filter element	不锈钢+聚乙烯支架 Stainless steel + polyethylene holder	孔径: 40 μm precision: 40 μm Ø 90 mm X 160 mm	1	3**
hansgrohe® 铜进出水组件 Hansgrohe brand cooper input and output water components	黄铜 brass	DN20	1	10
hansgrohe® PA塑料进出水组件 Hansgrohe brand PA plastic input and output components	尼龙+30%玻璃纤维 Nylon +30% fiberglass	Ø 120 mm X 118 mm	1	10
hansgrohe® PA透明滤壳组件 Hansgrohe brand PA transparency housing components	尼龙 Nylon	Ø 114 mm X 170 mm	1	10

**此数据为实验室测试数据，仅供参考。具体视乎当地水源水质和使用情况而定

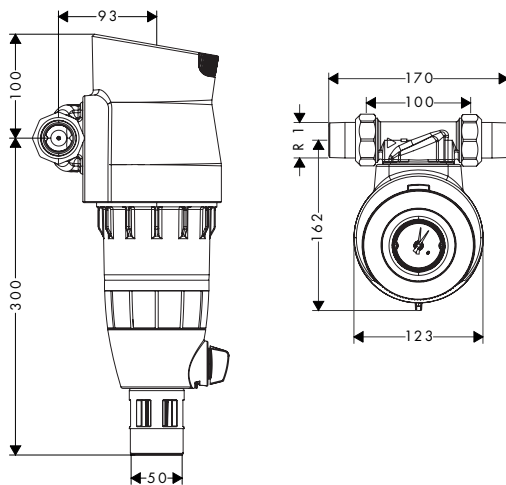
警告: 严禁私自拆开本产品!

**The data is base in laboratory test, only for reference. Depending on the local water quality and use situation.

Warning: it's forbidden to disassemble the product without permission!



hansgrohe® HG POE BWF 82-S25型过滤器
Hansgrohe brand HG POE BWF 82-S25 filter
 40922007



技术参数

Technical parameter

型号 Model	净水流量 (m³/h) Rate of flow (m³/h)	额定总净水量(m³) Total water flow (m³)	工作压力 (MPa) Work pressure (MPa)
HG POE BWF 82-S25	3.6*	1300	0.2 - 1.6

*此数据为实验室测试数据，仅供参考。具体视乎当地水源水质和使用情况而定

*The data is base in laboratory test, only for reference. Depending on the local water quality and use situation.

名称 Article	材料 Material	规格 (型号) Specification	用量(件) Pcs	使用年限(年) Service life period (years)
hansgrohe® 不锈钢滤芯组件 Hansgrohe brand stainless steel filter element	不锈钢+聚乙烯支架 Stainless steel + polyethylene holder	孔径: 40 μm precision: 40 μm Ø 90 mm X 160 mm	1	3**
hansgrohe® 铜进出水组件 Hansgrohe brand cooper input and output water components	黄铜 brass	DN25	1	10
hansgrohe® PA塑料进出水组件 Hansgrohe brand PA plastic input and output components	尼龙+30%玻璃纤维 Nylon +30% fiberglass	Ø 120 mm X 118 mm	1	10
hansgrohe® PA透明滤壳组件 Hansgrohe brand PA transparency housing components	尼龙 Nylon	Ø 114 mm X 170 mm	1	10

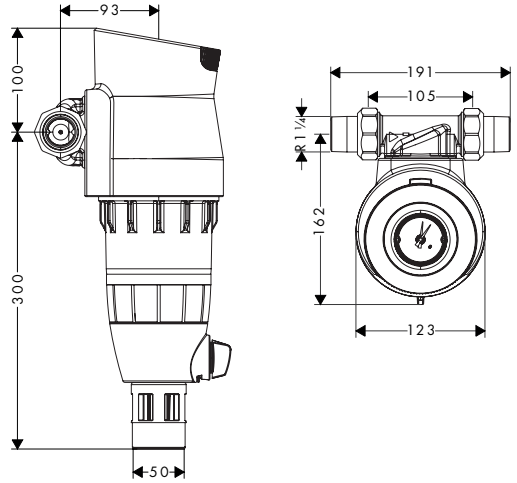
**此数据为实验室测试数据，仅供参考。具体视乎当地水源水质和使用情况而定

警告: 严禁私自拆开本产品!

**The data is base in laboratory test, only for reference. Depending on the local water quality and use situation.

Warning: it's forbidden to disassemble the product without permission!

hansgrohe® HG POE BWF 82-S32型过滤器
Hansgrohe brand HG POE BWF 82-S32 filter
 40923007



技术参数

Technical parameter

型号 Model	净水流量 (m ³ /h) Rate of flow (m ³ /h)	额定总净水量(m ³) Total water flow (m ³)	工作压力 (MPa) Work pressure (MPa)
HG POE BWF 82-S32	5.8*	1500	0.2 - 1.6

* 此数据为实验室测试数据，仅供参考。具体视乎当地水源水质和使用情况而定

*The data is base in laboratory test, only for reference. Depending on the local water quality and use situation.

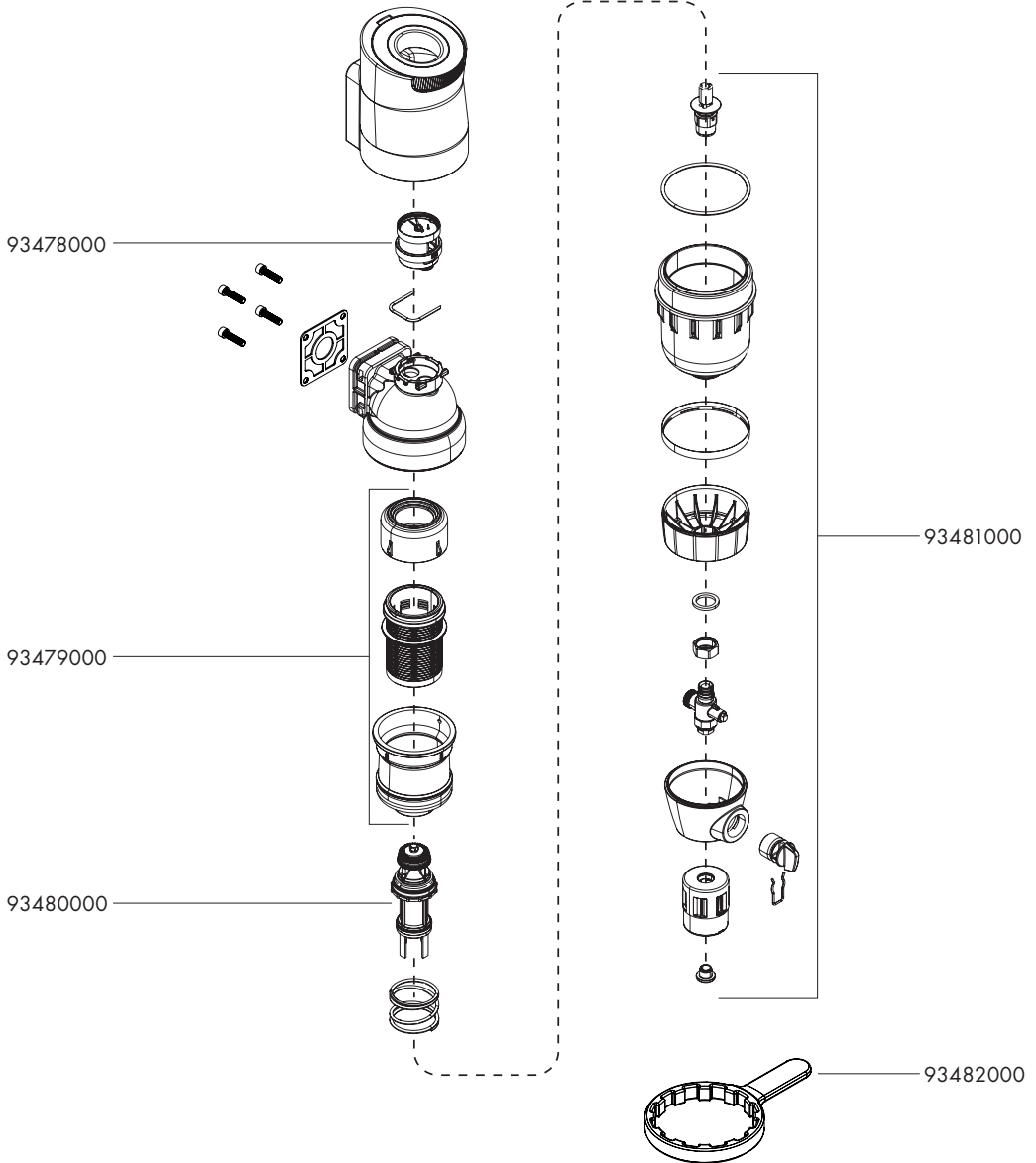
名称 Article	材料 Material	规格 (型号) Specification	用量(件) Pcs	使用年限(年) Service life period (years)
hansgrohe® 不锈钢滤芯组件 Hansgrohe brand stainless steel filter element	不锈钢+聚乙烯支架 Stainless steel + polyethylene holder	孔径: 40 μm precision: 40 μm Ø 90 mm X 160 mm	1	3**
hansgrohe® 铜进出水组件 Hansgrohe brand cooper input and output water components	黄铜 brass	DN32	1	10
hansgrohe® PA塑料进出水组件 Hansgrohe brand PA plastic input and output components	尼龙+30%玻璃纤维 Nylon +30% fiberglass	Ø 120 mm X 118 mm	1	10
hansgrohe® PA透明滤壳组件 Hansgrohe brand PA transparency housing components	尼龙 Nylon	Ø 114 mm X 170 mm	1	10

**此数据为实验室测试数据，仅供参考。具体视乎当地水源水质和使用情况而定

警告: 严禁私自拆开本产品!

**The data is base in laboratory test, only for reference. Depending on the local water quality and use situation.

Warning: it's forbidden to disassemble the product without permission!



在华责任单位: 汉斯格雅卫浴产品(上海)有限公司
地址: 上海市松江工业区东部新区申港路2999号
电话: 021-57072881
邮编: 201611
网址: www.hansgrohe.com.cn
服务热线: 400-820-3555

Responsible units in China: Hansgrohe Sanitary Products (Shanghai) CO., LTD.
Address: No. 2999, Shengang road, Songjiang district, Shanghai, China
Phone: 021-57072881
Postcode: 201611
URL: www.hansgrohe.com.cn
Service hot line: 400-820-3555

原产国: 德国
生产企业: 汉斯萨瑟莱斯两合公司
地址: Muehlenstrasse 62,
41352 Korschenbroich, Germany

Country of origin: Germany
Production units: Hans Sasserath GmbH & Co. KG
Address: Muehlenstrasse 62,
41352 Korschenbroich, Germany



汉斯格雅官方微信
Hansgrohe Official WeChat



汉斯格雅净水微信平台
Hansgrohe Filtration WeChat



汉斯格雅专业服务
Hansgrohe Service

hansgrohe

Hansgrohe · Auestraße 5 · 9 · D-77761 Schiltach · Telefon +49 (0) 78 36/51-1282 · Telefax +49 (0) 7836/511440
E-Mail: info@hansgrohe.com · Internet: www.hansgrohe.com

10/2019
9,06740.11