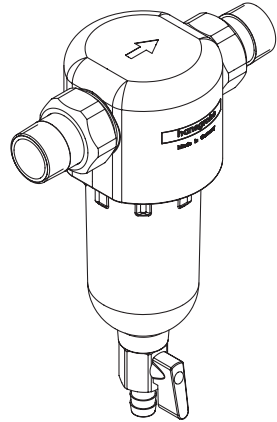


ZH 用户手册 / 组装说明

EN Instructions for use / assembly instructions

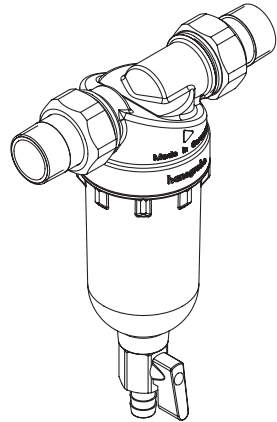
2

4



hangrohe® HG POE BWF 21-S型过滤器
Hansgrohe brand HG POE BWF 21-S filter

40909007



hangrohe® HG FIL BWF 21-SO型过滤器
Hansgrohe brand HG FIL BWF 21-SO filter

40910007



使用区域

- 反冲洗过滤器（带减压器）用作饮用水装置的配件。

执行

- 所有可反洗的版本包括不锈钢过滤器元件（通道宽度 40 μm）。
- 所有使用的材料都符合公认的技术规则。

安全技巧

- △ 安装和维护只能由授权的专业公司进行。
- △ 装配时为避免挤压和切割受伤，必须戴上手套。
- △ 按照维护说明进行操作。
- △ 不要使用含有溶剂的洗涤剂清洁塑料部件。
- △ 过滤器不得安装在具有 UV 照射（阳光）或溶剂蒸汽的区域。
- △ 保护过滤器免受霜冻。
- △ 在硬冲击或打击后，必须更换受影响的塑料部件（即使没有任何明显的损坏）。
- △ 必须避免强压力冲程（例如，通过后继的电磁阀）（破损风险）。
- △ 包装用作运输保护。如果包装严重损坏，阀门不应安装！

过滤器安装注意事项：

- 进、出水管尽量不要拐弯，以免影响水流。
- 安装时需考虑使用上的便利及保养时的移动空间。
- 安装后如有疑问请洽购买机器之经销商或打免费服务电话，本公司将派专人为您服务。

使用注意事项及维护保养

- 新机装置完毕后，请先将过滤器排污阀打开，待过滤器连续排水5分钟后，再开始使用。
- 过滤器长时间未使用时，请先将过滤器排污阀打开，待过滤器连续排水5分钟后，再开始使用。
- 设备使用流量明显下降时，请打开下放冲洗球阀，进行冲洗。当达额定总净水量的市政自来水时，请更换滤芯。
- 滤芯更换方法：首先关闭总的进水阀门，然后用特殊扳手93486000（不包含在产品中）打开过滤器，取出内部的不锈钢滤网组件，重新装上新的同型号的不锈钢滤网组件，再装回过滤器，打开排污阀放水5分钟后使用。

安装提示

- 先安装法兰。随后将过滤器对准位置并安装到法兰的链接螺母上。
- 观察过滤器外壳的位置，确保正确安装。
- 为保证最佳的过滤效果，安装过滤器时确保其主轴在垂直位置。同时确保进出水方向与法兰铜体上的箭头方向一致。
- 根据技术标准，过滤器需安装在水表之后。
- 过滤器与金属管和塑料管均可连接。

技术参数

网宽:	40 μm
最小工作压力:	0.2 MPa (2 bar)
最大工作压力:	1.6 MPa (16 bar)
工作温度:	5 - 30°C
操作介质:	饮用水
流量 Δp 0.05 MPa (0.5 bar)	
DN 20:	2.3 m³/h

适用型号

型号	外观差异
HG POE BWF 21-S	黑色装饰罩
HG FIL BWF 21-SO	无装饰罩

产品功能：市政自来水经过 hansgrohe® HG POE BWF 21-S型过滤器过滤，出水水质符合《生活饮用水水质处理器卫生安全与功能评价规范——一般水质处理器》（2001）要求。

适用范围：市政自来水

处理工艺：市政自来水 -> hansgrohe® 不锈钢滤芯组件 -> 净水

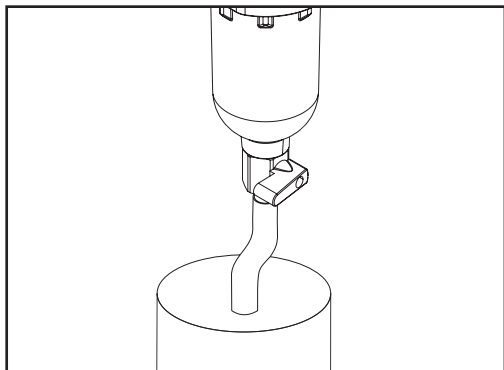
执行标准：Q/HSGH 01-2017《hansgrohe® HG过滤器》

产品卫生许可批准文号：沪卫水进字(2019)第 0007 号

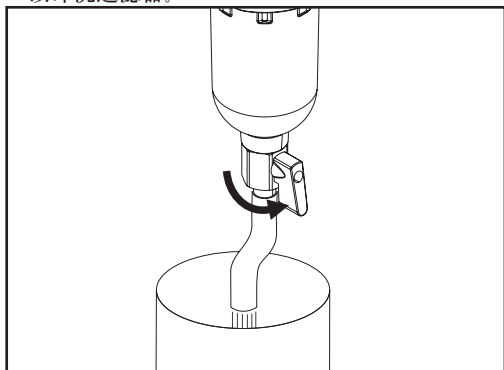


反冲洗

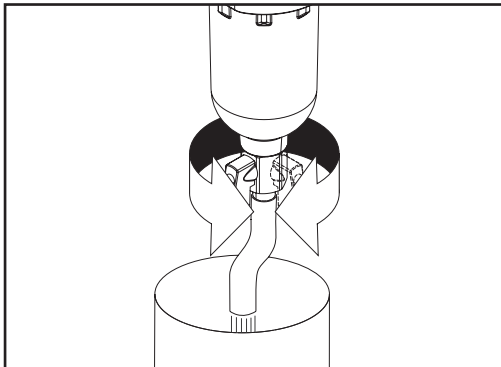
- 为了保证前置反冲洗过滤器正常工作，根据DIN1988第8部分必须至少每隔两个月当水流量减少时对过滤器进行反冲洗。
- 可使用相应容器收集排水，但需确保容器足够大。



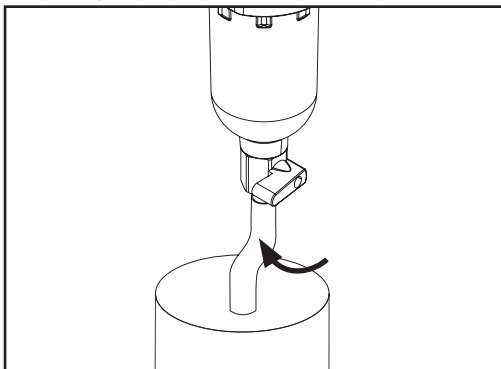
- 将反冲洗开关向下旋转90°到垂直位置（打开）以冲洗过滤器。



- 左右旋转下方的条状部件数次，以清洗过滤器



- 将反冲洗开关旋转90°到水平位置（关闭）。



- 即使在冲洗阶段，过滤器持续提供过滤功能。
- 如有需要，可重复以上步骤。



Application area

- The backwash filters (with pressure reducer) are used as fittings for the drinking water installations.

Model

- All backwashable versions include a stainless steel filter element (passage width 40 µm).
- All materials used comply with the recognised rules of technology

Safety Notes

- △ Installation and maintenance may only be carried out by an authorised specialist company.
- △ Gloves should be worn during installation to prevent crushing and cutting injuries.
- △ Take note of maintenance instructions!
- △ Do not clean plastic parts with solvent-based care products.
- △ Filters cannot be installed in areas with UV-radiation (sunshine) or solvent vapours
- △ Protect filter from frost
- △ After hard knocks or blows, the affected plastic part must be replaced (even if there is no visible damage).
- △ Strong pressure surges, for example, from solenoid valves in series are to be avoided (risk of breakage).
- △ The packaging serves as transport protection. The fitting must not be installed if there is considerable damage to the packaging!

Filter installation TIPS:

- △ Put the input and output tube straightly, to guarantee the water flow.
- △ To keep the convenience and space for usage when install the device.
- △ Please call the hotline for free after installation if any problems, we will send service to you immediately.

Notice and maintenance

- △ After install the new device, please open the blow-down valve to keep the water flows for 5 mins to flush the filter.
- △ If the filter not in use for a long time, please open the blow-down valve to keep the water flows for 5 mins.
- △ Please open the flushing valve when the water flow down obviously. Please replace the filter at the end of lifetime of filter.

- △ Filter replacement: first to close the input valve, then open the filter with wrench tool 93486000 (not included), take out of the stainless steel element, replace with new, then put back, and open the blow-down valve for 5 mins.

Installation Instructions

- Install the flange. Apply the filter to the flange connection and install the filter with the big connecting Nut.
- Make sure to observe the correct fit of the filter housing.
- In order to achieve the effective function of all filters install the filter with the main axis in vertical position. When installing, make sure to observe the correct direction of flow! An arrow on the flange body indicates the direction of flow.
- Install After the water meter according to the compliance with technical standards.
- The filters can be installed in both metal and plastic pipe.

Technical Data

Passage width:	40 µm
Minimum operating pressure:	0.2 MPa (2 bar)
Maximum operating pressure:	1.6 MPa (16 bar)
Operating temperature:	5 - 30 °C
Operational medium:	Drinking water
Flow capacity Δp 0.05 MPa (0.5 bar)	
DN 20:	2.3 m ³ /h

Applicable model

Model	Appearance differences
HG POE BWF 21-S	Black decorative cover
HG FIL BWF 21-SO	No decorative cover

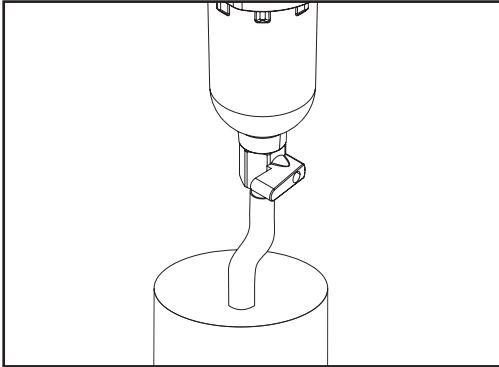
Product function: tap water flow through Hansgrohe brand HG POE BWF 21-S model filter, and the output water quality meet the requirement of standard for Hygienic safety and functional evaluation of domestic and drinking water quality processors (2001).
 Suitable range: municipal water
 Treatment process: municipal water -> Hansgrohe brand stainless steel filter element -> clean water
 Executive standard: Q/HSGH 01-2017 (Hansgrohe brand HG filter)

Product health license approval No.: 沪卫水进字(2019)第 0007 号

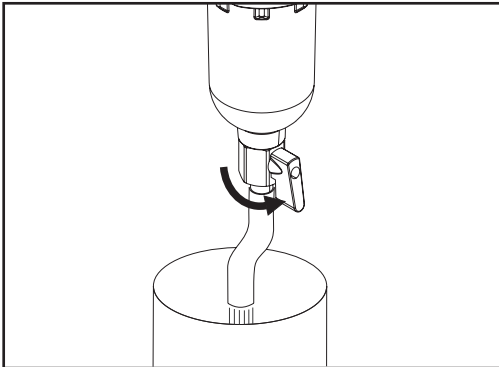


Backwashing

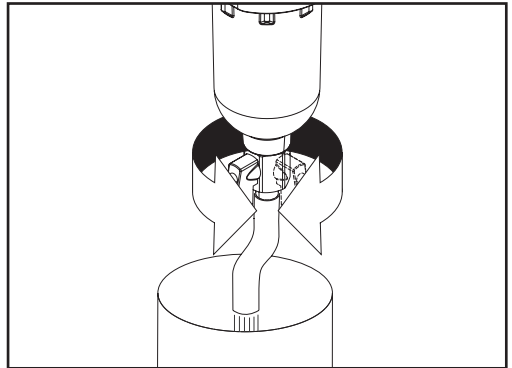
- In order to ensure proper operation, according to DIN 1988, Part 8, backwash filter must be backwashed at least every 2 months when water flow is reduced.
- The drain water can be collected in a suitable container. The container shall be able to collect the drain volume.



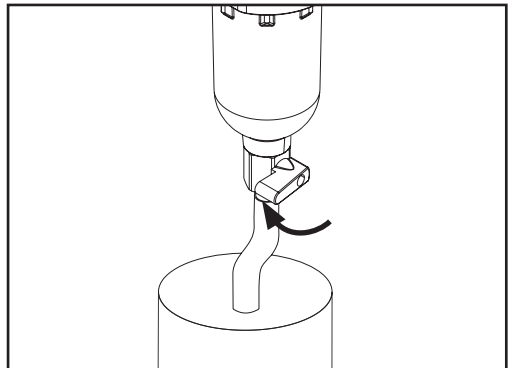
- To backwash or flush out the filter turn the ball valve by 90° downwards until reaching the vertical position (open).



- To clean the filter, rotate the ribbed lower part several times to the left and to the right.



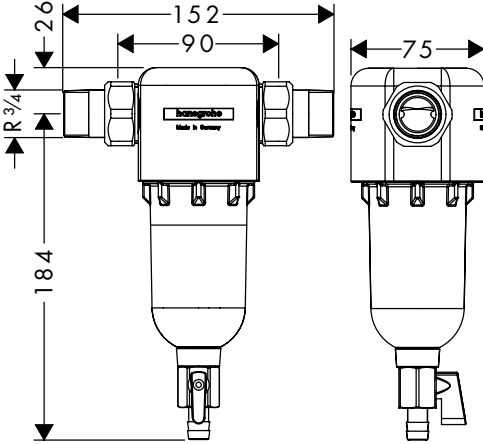
- Turn the ball valve by 90° to the left until reaching the horizontal position (close).



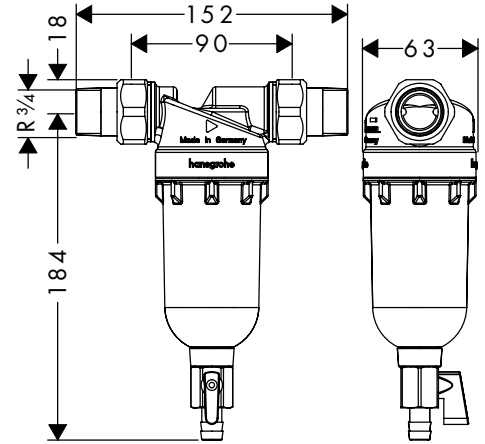
- Even during backwashing, the device continues to supply filtered water into the potable water system.
- Repeat this process if necessary.



hansgrohe® HG POE BWF 21-S型过滤器
Hansgrohe brand HG POE BWF 21-S filter
 40909007



hansgrohe® HG FIL BWF 21-SO型过滤器
Hansgrohe brand HG FIL BWF 21-SO filter
 40910007



技术参数

Technical parameter

型号 Model	净水流量 (m³/h) Rate of flow (m³/h)	额定总净水量(m³) Total water flow (m³)	工作压力 (MPa) Work pressure (MPa)
HG POE BWF 21-S	2.3*	1000	0.2 - 1.6
HG FIL BWF 21-SO	2.3*	1000	0.2 - 1.6

*此数据为实验室测试数据，仅供参考。具体视乎当地水源水质和使用情况而定

*The data is base in laboratory test, only for reference. Depending on the local water quality and use situation.

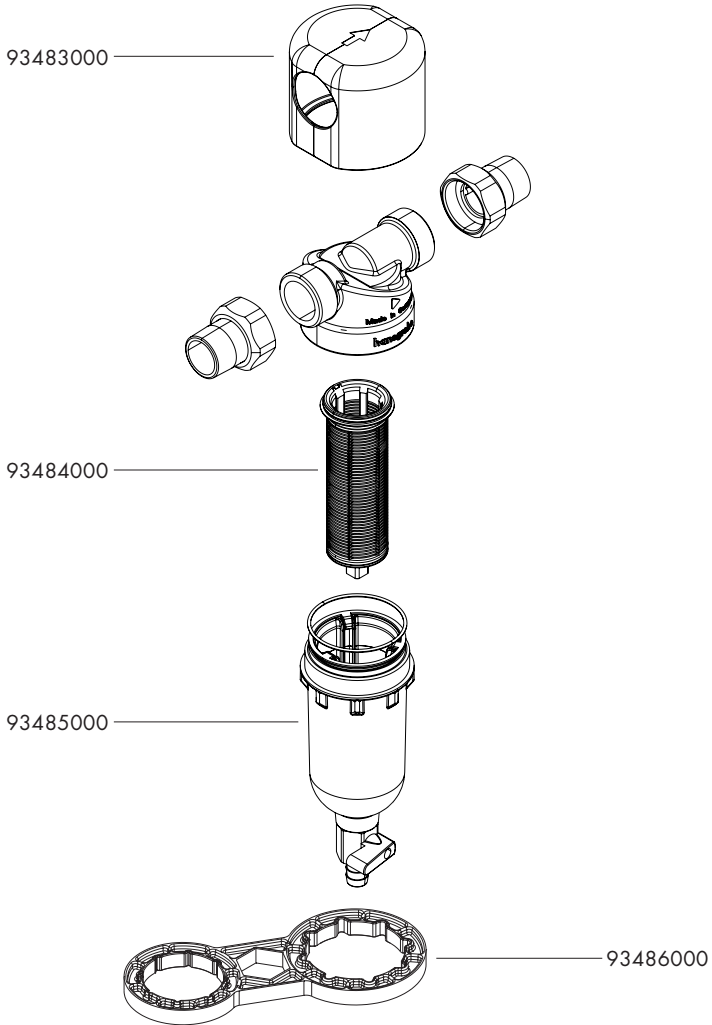
名称 Article	材料 Material	规格 (型号) Specification	用量(件) Pcs	使用年限(年) Service life period (years)
hansgrohe® 不锈钢滤芯组件 Hansgrohe brand stainless steel filter element	不锈钢+聚乙烯支架 Stainless steel + polyethylene holder	孔径: 40 μm precision: 40 μm Ø 40 mm X 118 mm	1	3**
hansgrohe® 铜进出水组件 Hansgrohe brand cooper input and output water components	黄铜 brass	DN20	1	10
hansgrohe® PA透明滤壳组件 Hansgrohe brand PA transparency housing components	尼龙 Nylon	Ø 63 mm X 112 mm	1	10

**此数据为实验室测试数据，仅供参考。具体视乎当地水源水质和使用情况而定

警告: 严禁私自拆开本产品!

**The data is base in laboratory test, only for reference. Depending on the local water quality and use situation.

Warning: it's forbidden to disassemble the product without permission!



在华责任单位: 汉斯格雅卫浴产品(上海)有限公司
地址: 上海市松江工业区东部新区申港路2999号
电话: 021-57072881
邮编: 201611
网址: www.hansgrohe.com.cn
服务热线: 400-820-3555

Responsible units in China: Hansgrohe Sanitary Products
(Shanghai) CO., LTD.
Address: No. 2999, Shengang road, Songjiang district,
Shanghai, China
Phone: 021-57072881
Postcode: 201611
URL: www.hansgrohe.com.cn
Service hot line: 400-820-3555

原产国: 德国
生产企业: 汉斯萨瑟莱斯两合公司
地址: Muehlenstrasse 62,
41352 Korschenbroich, Germany

Country of origin: Germany
Production units: Hans Sasserath GmbH & Co. KG
Address: Muehlenstrasse 62,
41352 Korschenbroich, Germany



汉斯格雅官方微信
Hansgrohe Official WeChat



汉斯格雅净水微信平台
Hansgrohe Filtration WeChat



汉斯格雅专业服务
Hansgrohe Service

hansgrohe

Hansgrohe · Auestraße 5 · 9 · D-77761 Schiltach · Telefon +49 (0) 78 36/51-1282 · Telefax +49 (0) 7836/511440
E-Mail: info@hansgrohe.com · Internet: www.hansgrohe.com

10/2019
9,06740,01