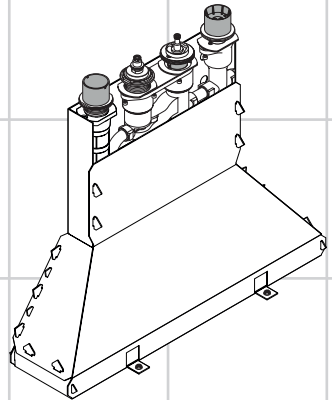


<b>ZH</b> 用户手册 / 组装说明	<b>2</b>
<b>EN</b> Instructions for use / assembly instructions	<b>2</b>



15460187



## 安全技巧

△ 装配时为避免挤压和切割受伤，必须戴上手套。

△ 冷热水管间过大的压力差必须予以平衡。

## 安装提示

- 安装前必须检查产品是否受到运输损害。安装后将不认可运输损害或表面损伤。
- 管道和阀门必须根据通用标准进行安装、冲洗和检查。
- 请遵守当地国家现行的安装规定。
- 如果 Secuflex-Box 安装错误或未安装，则质保失效。

## 技术参数

工作压力:	最大 1 MPa
推荐工作压力:	0,1 - 0,5 MPa
测试压强:	1,6 MPa
(1 MPa = 10 bar = 147 PSI)	
热水温度:	最大 70°C
推荐热水温度:	65°C
流量 钟0,3 MPa:	大约 22 升/分钟
连接管线G 1/2:	左热右冷
热力消毒:	最大 70°C / 4 分钟
该产品专为饮用水设计!	

## 符号说明



请勿使用含有乙酸的硅胶!



大小 (参见第页 11)



备用零件 (参见第页 13)



加工件 (参见第页 12)

## 安全 Notes

△ Gloves should be worn during installation to prevent crushing and cutting injuries.

△ The hot and cold supplies must be of equal pressures.

## Installation Instructions

- Prior to installation, inspect the product for transport damages. After it has been installed, no transport or surface damage will be honoured.
- The pipes and the fixture must be installed, flushed and tested as per the applicable standards.
- The plumbing codes applicable in the respective countries must be observed.
- If the Secuflex-Box is installed improperly or not at all, the warranty will become invalid.

## Technical Data

Operating pressure:	max. 1 MPa
Recommended operating pressure:	0,1 - 0,5 MPa
Test pressure:	1,6 MPa
(1 MPa = 10 bar = 147 PSI)	
Hot water temperature:	max. 70°C
Recommended hot water temp.:	65°C
Rate of flow by 0,3 MPa:	approx. 22 l/min
Connections G 1/2:	cold right - hot left
Thermal disinfection:	max. 70°C / 4 min
The product is exclusively designed for drinking water!	

## Symbol description



Do not use silicone containing acetic acid!



Dimensions (see page 11)

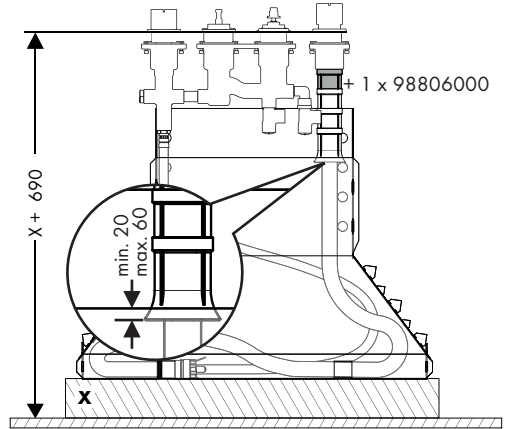
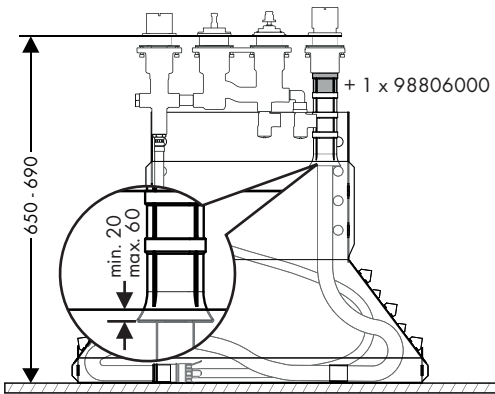
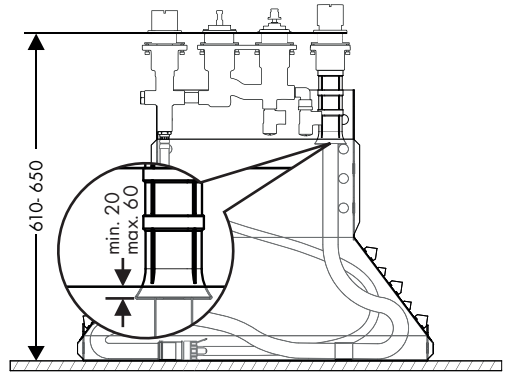
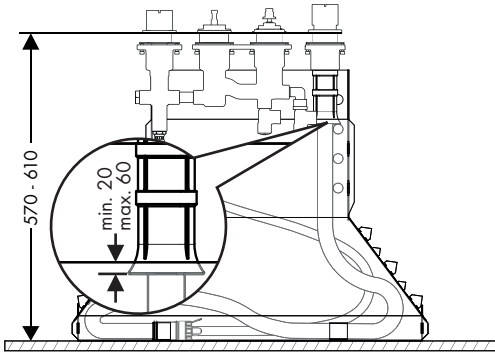


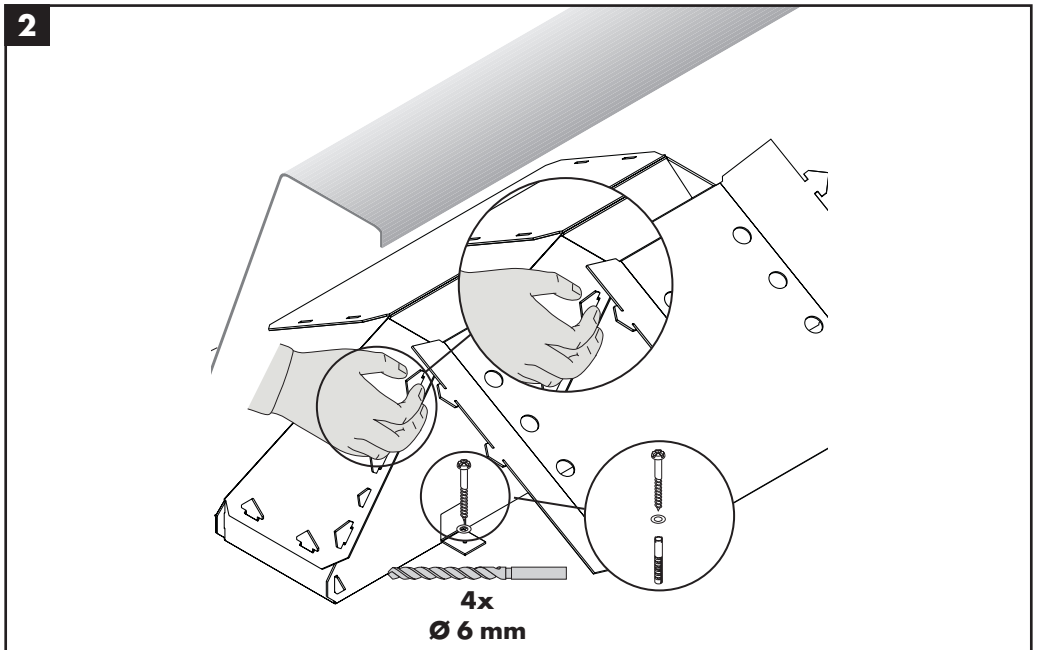
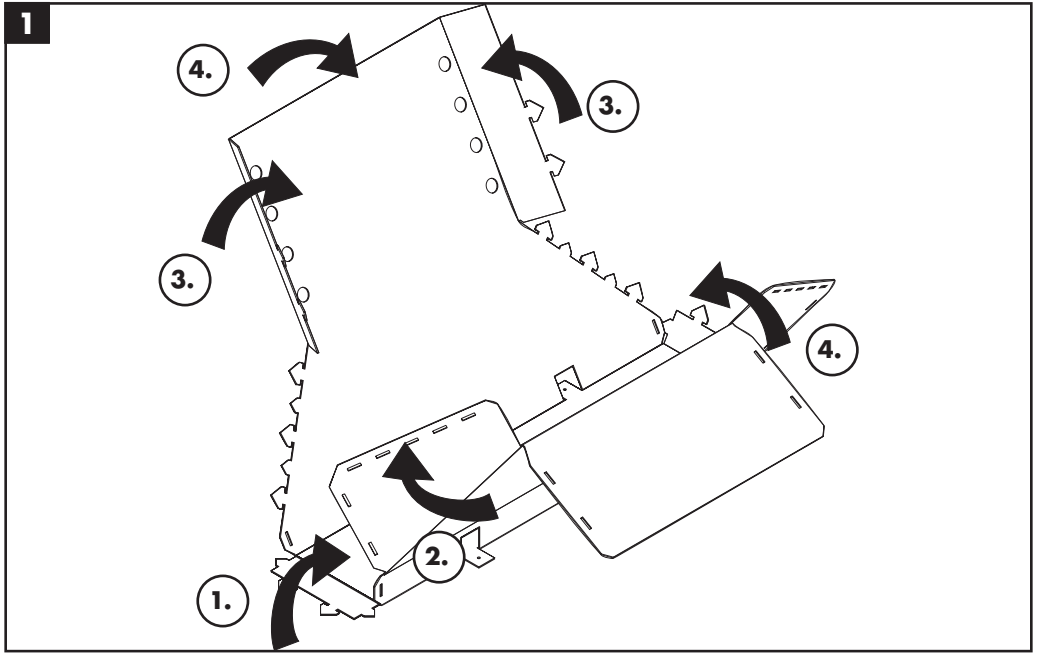
Spare parts (see page 13)

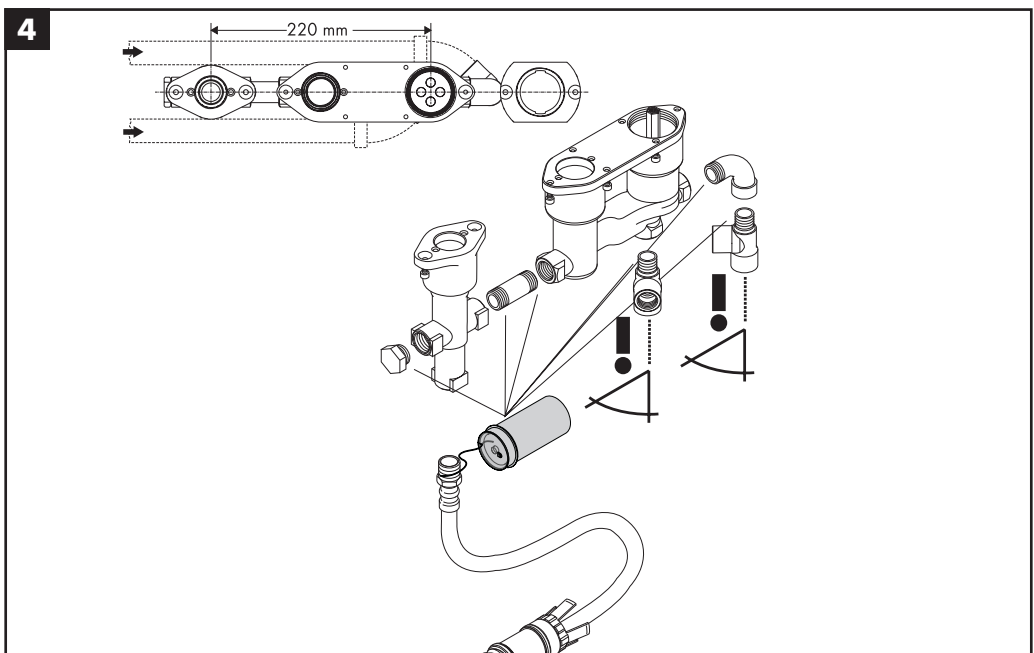
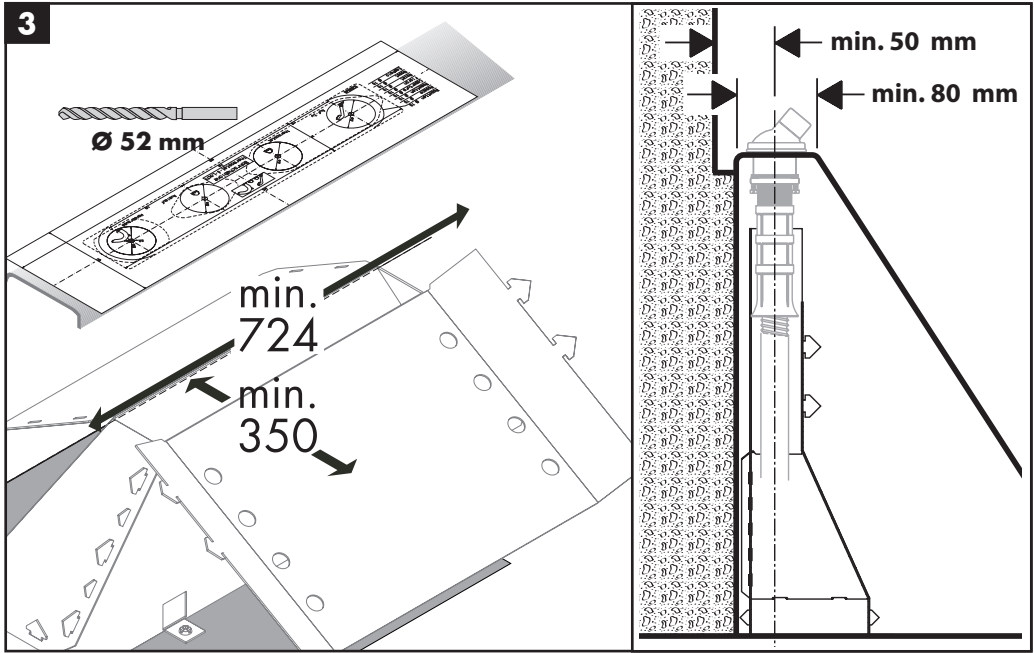
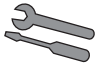


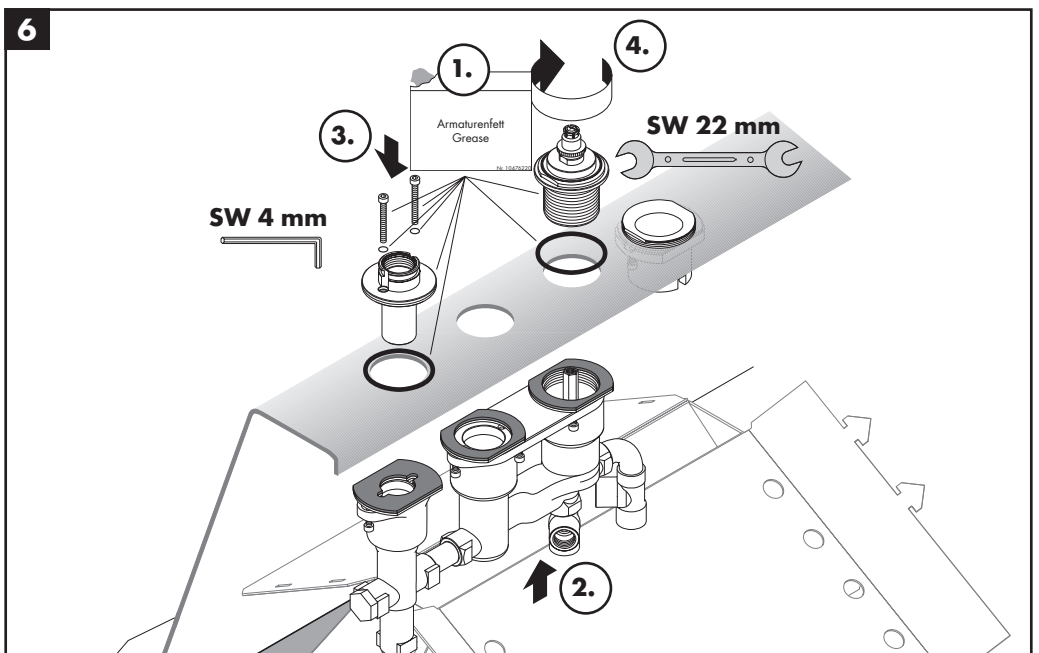
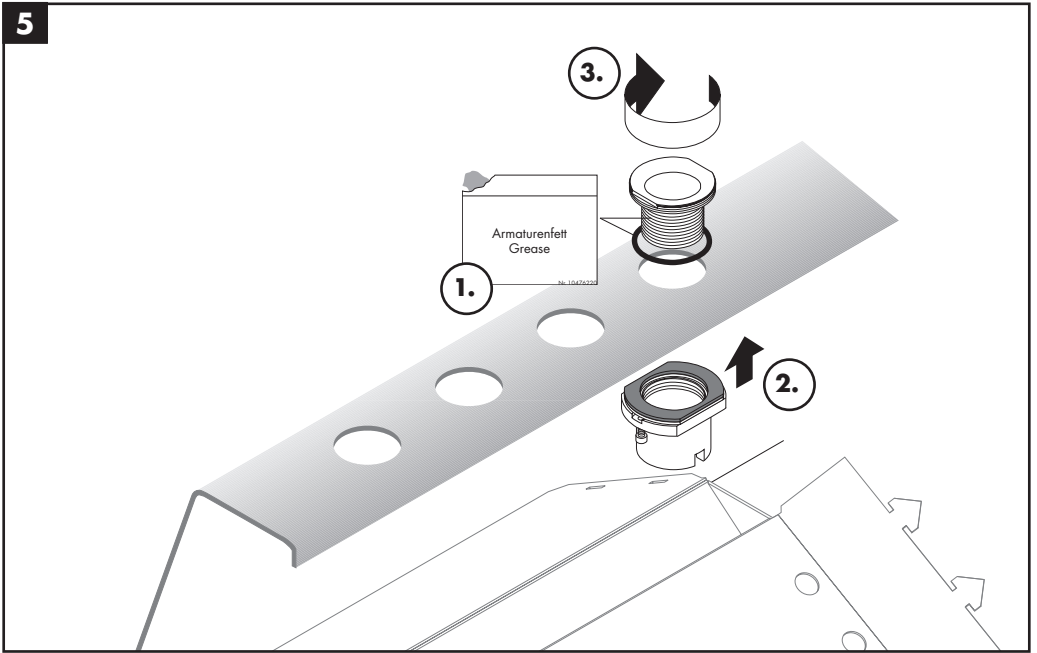
Finish set (see page 12)

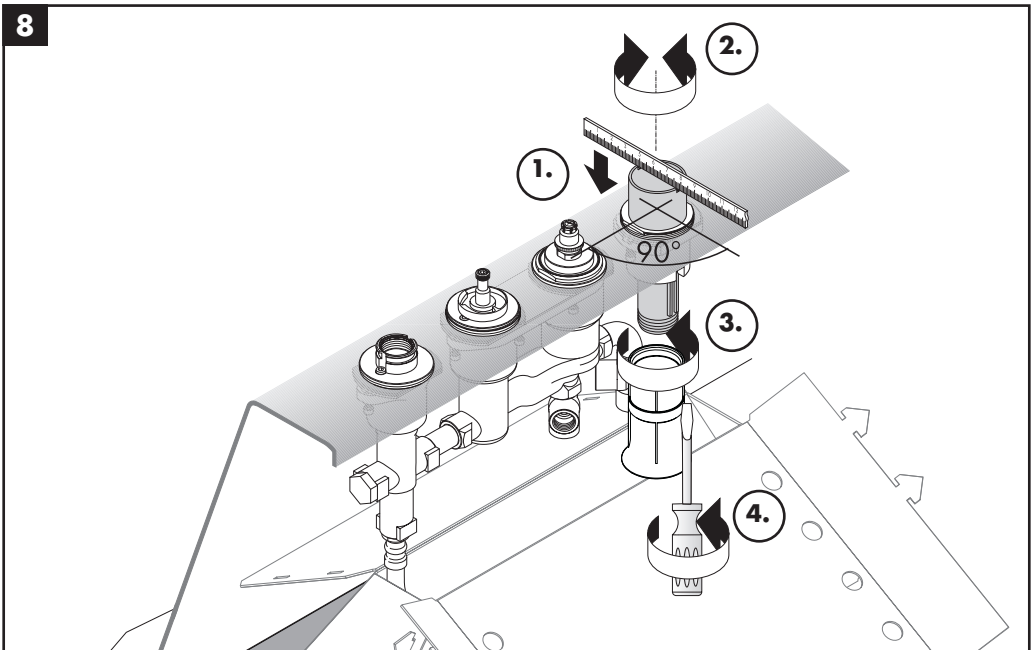
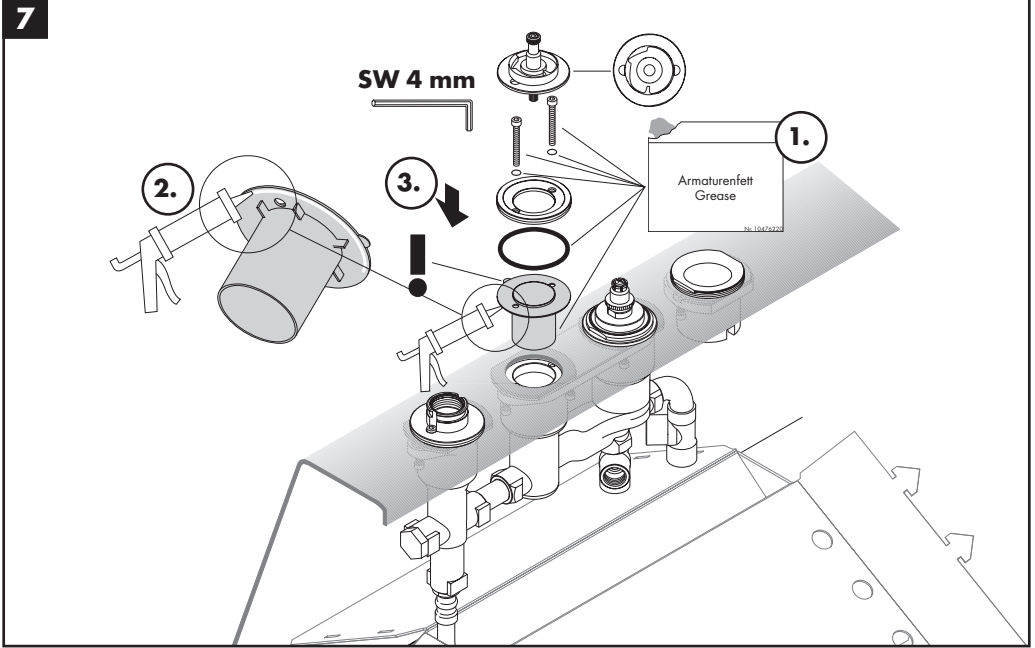


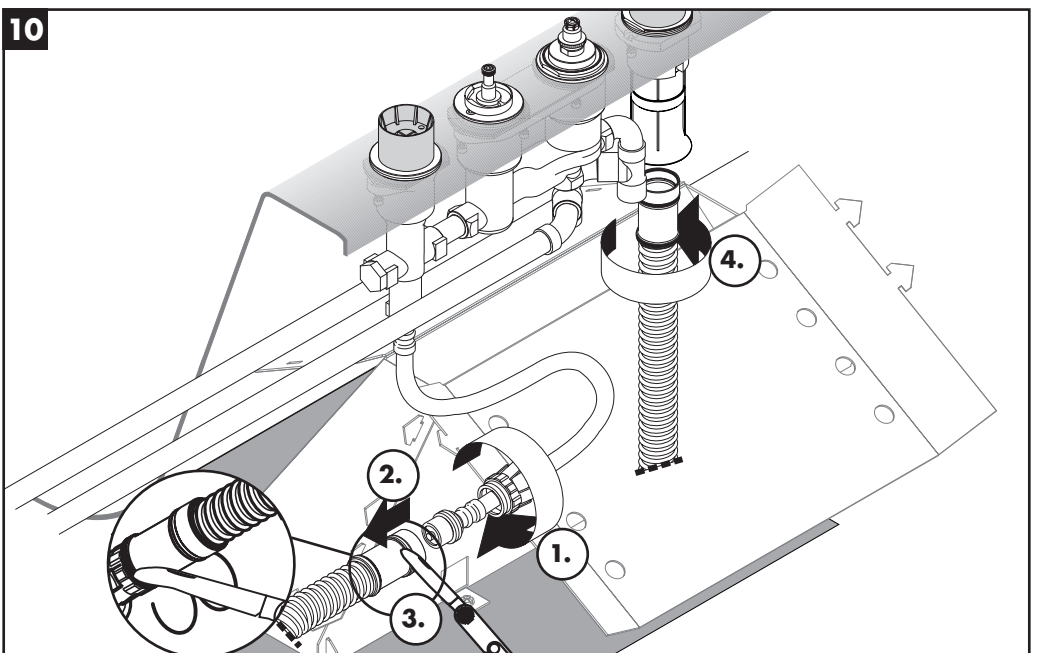
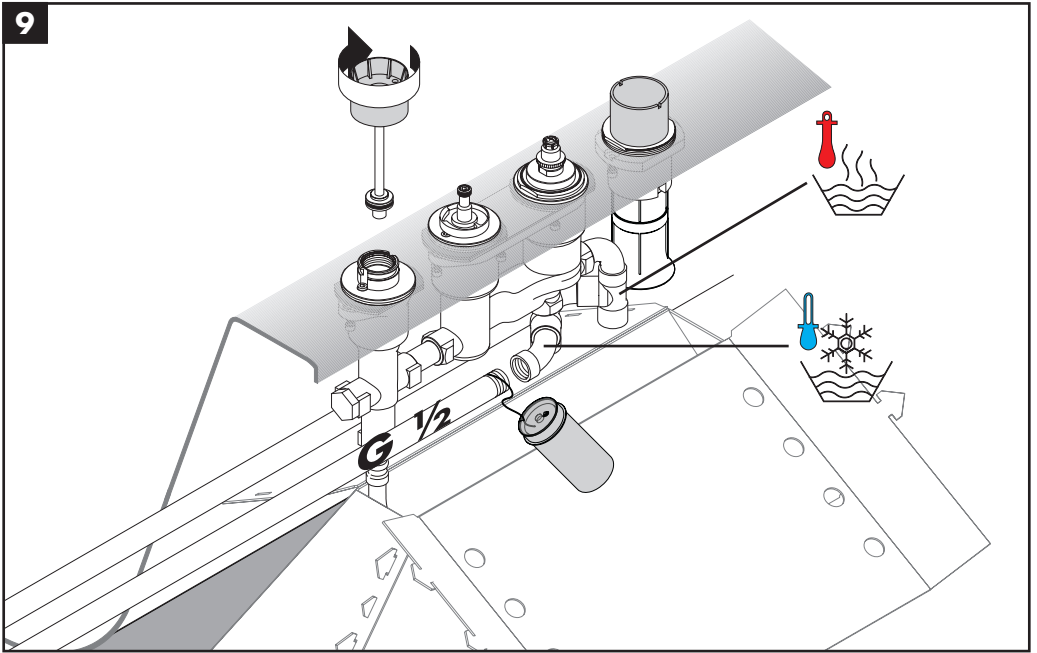








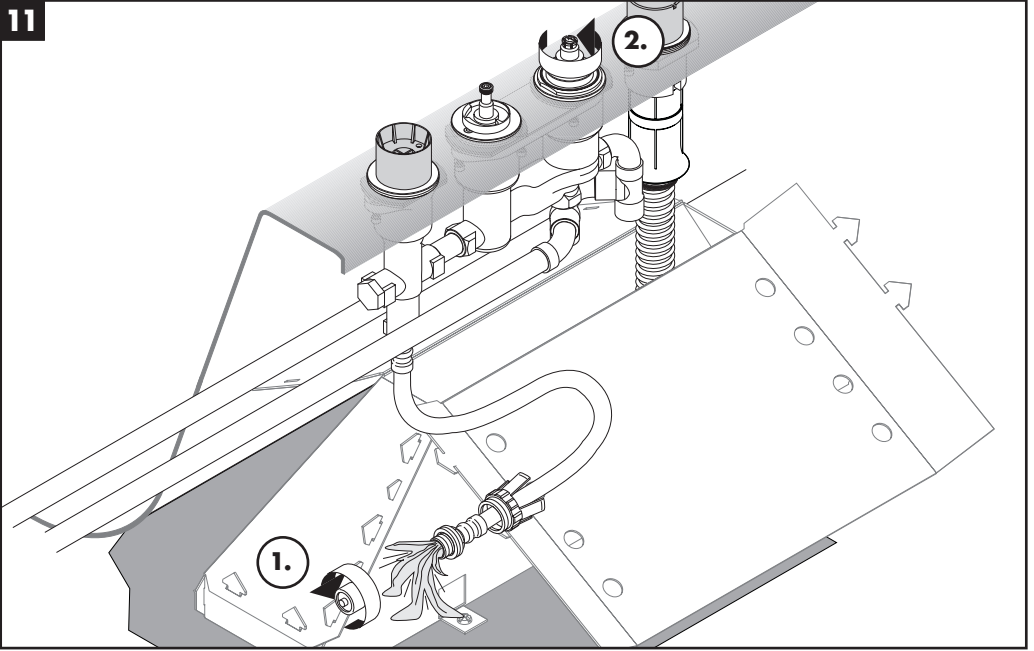




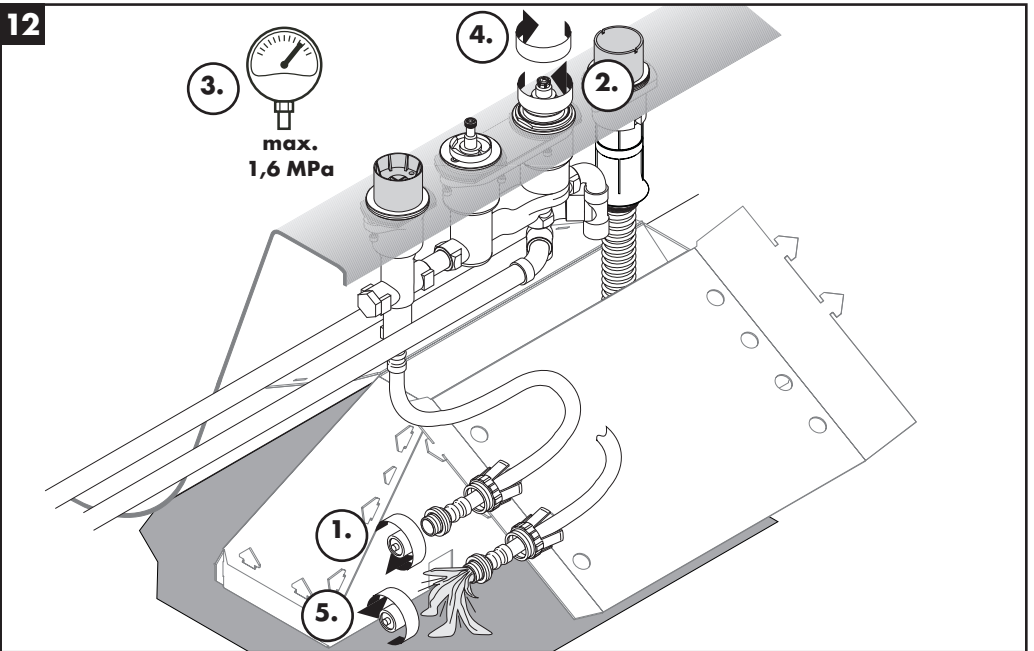




11

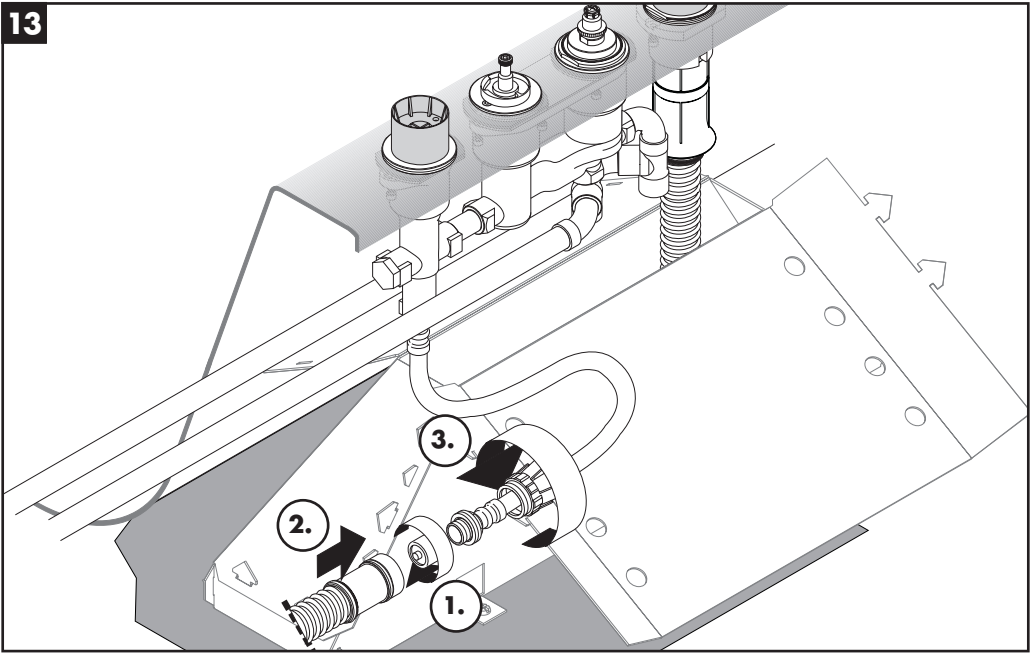


12

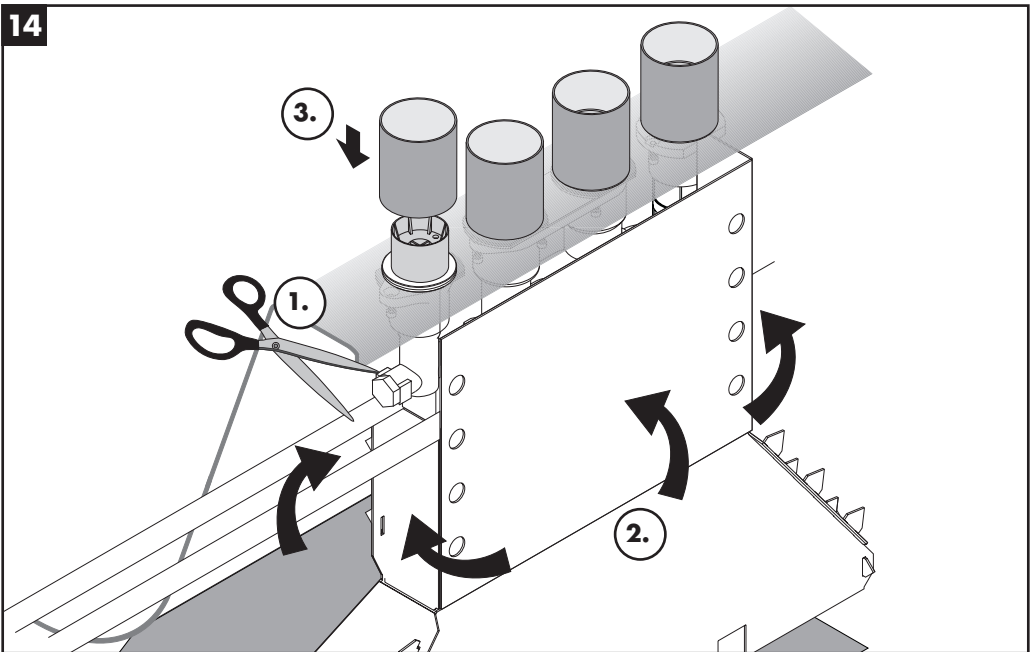


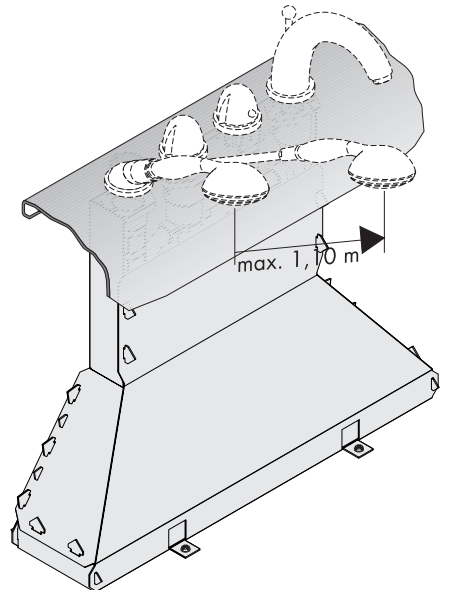
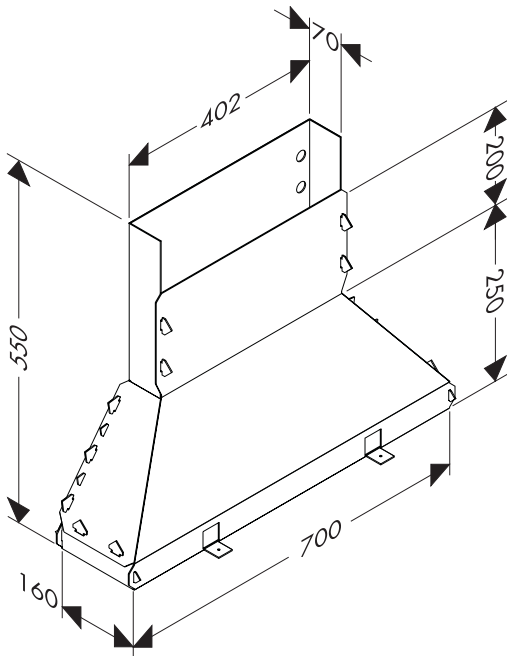
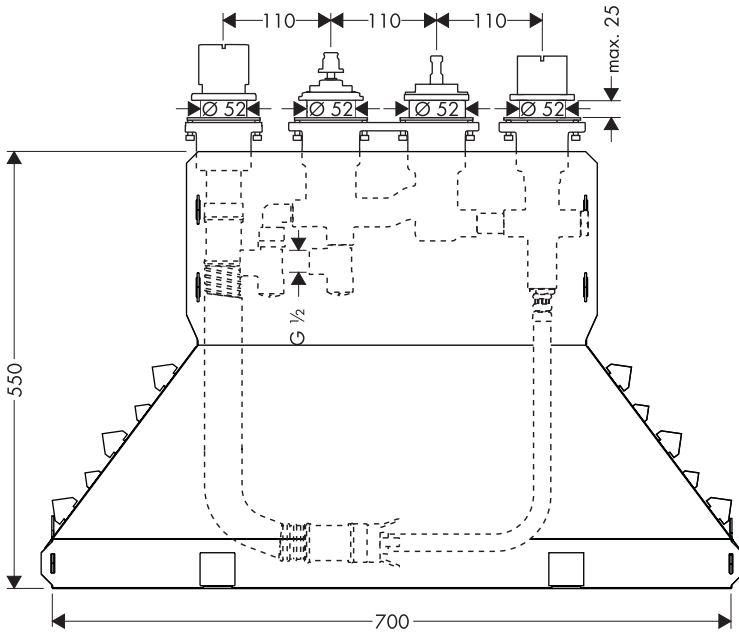
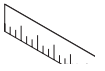


13



14

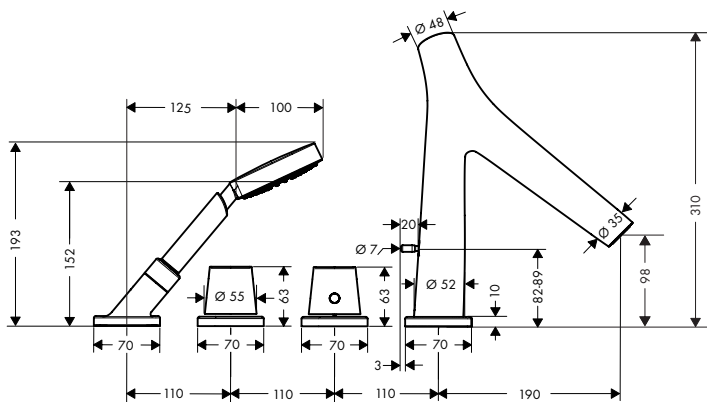






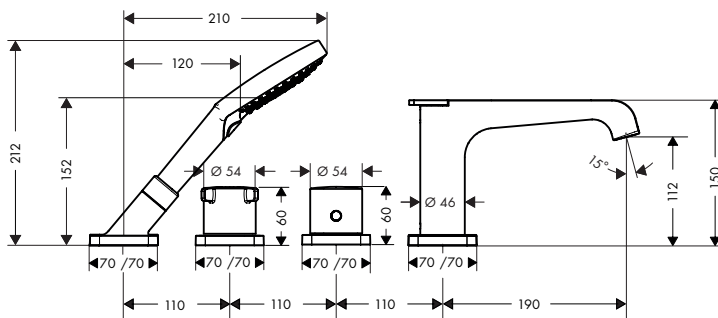
## AXOR Starck Organic

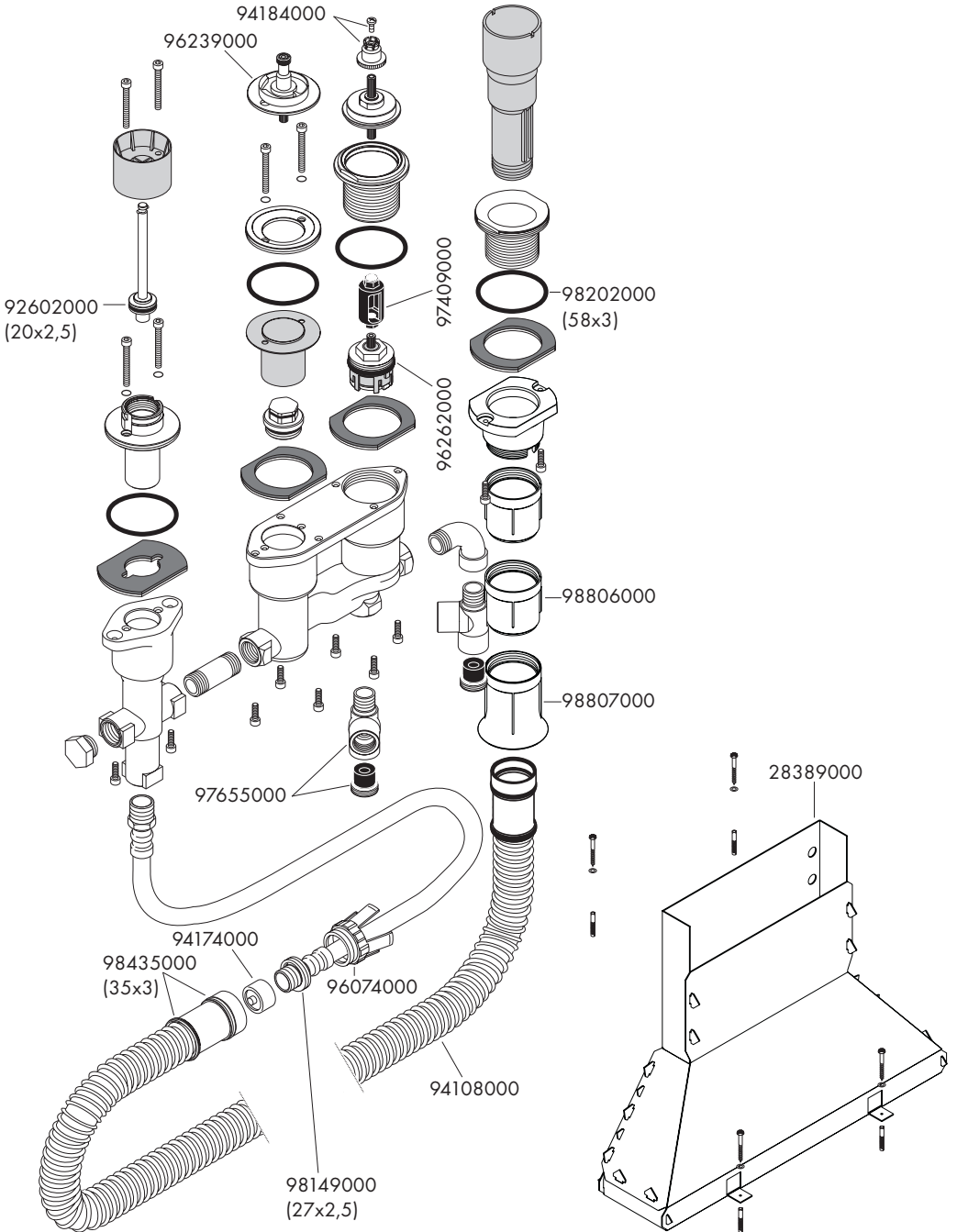
12425007



## AXOR Citterio E

36411007









---

**hansgrohe**

Hansgrohe · AuestraÙe 5 · 9 · D-77761 Schiltach · Telefon +49 (0) 78 36/51-1282 · Telefax +49 (0) 7836/511440  
E-Mail: [info@hansgrohe.com](mailto:info@hansgrohe.com) · Internet: [www.hansgrohe.com](http://www.hansgrohe.com)

07/2017  
9,08388.51