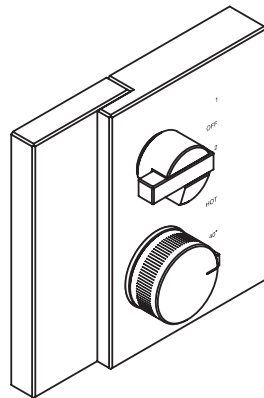


AXOR



ZH 用户手册 组装说明

EN / Instructions for use / assembly instructions

02

04

AXOR Edge

46760007 / 46761XX7

INSTALLATION

△ 安全技巧

- △ 装配时为避免挤压和切割受伤, 必须戴上手套.
- △ 本产品只允许作为洗浴, 卫生和洁身之用.
- △ 不得让儿童和肢体、精神和或意识有障碍的成人在不受监管的情况下使用淋浴系统. 受酒精或毒品影响的人员不得使用淋浴系统.
- △ 冷热水管间过大的压力差必须予以平衡.

安装提示

- / 安装前必须检查产品是否受到运输损害. 安装后将不认可运输损害或表面损伤.
- / 管道和阀门必须根据通用标准进行安装, 冲洗和检查.
- / 请遵守当地国家现行的安装规定.

技术参数

- 工作压力: 最大 1 MPa
 推荐工作压力: 0,1 - 0,5 MPa
 测试压强: 1,6 MPa
 (1 MPa = 10 bar = 147 PSI)
- 热水温度: 最大 60°C
 热力消毒: 70°C / 4 分钟

- / 自动防止回流
- / 该产品专为饮用水设计!

符号说明



请勿使用含有乙酸的硅胶!

max.
≈ 42°C

安全功能 (参见第页 08)

恒温阀芯的安全功能可以预先设定所希望的最高出水温度, 例如最高温度为42°C



调节 (参见第页 08)

安装完成后必须检查调温器的出水温度. 如在取水处测量所得的温度与调温器上设定的温度有偏差, 那么必须进行调整.



保养 (参见第页 10)

- / 单向阀必须在符合国家或当地的法律的情况下按照EN 806-5定期检查 (至少一年一次).
- / 为了保证恒温器的稳定运转, 请务必定期从最热到最冷转动调温器.



大小 (参见第页 13)

流量示意图 (参见第页 13)

时的流速

- ① 出水口 1
- ② 出水口 2



备用零件 (参见第页 12)

选装附件 (参见第页 12)

不在供货范围内

- / 加长 25 mm #13595000



清洗 (参见第页 14)



操作 (参见第页 16)

问题	原因	补救
/ 龙头出水量小	/ 水压不足	/ 检查总水压
	/ 调压器过滤网脏污	/ 清洁龙头前面和恒温阀芯的过滤网
	/ 花洒滤网有垃圾堵塞	/ 清洗花洒和软管间的过滤网
/ 串水, 在龙头关闭的状态下, 热水被强迫流入冷水管路, 或者相反	/ 单向阀有垃圾堵塞或漏水	/ 清洗单向阀, 如有必要则更换新的
/ 龙头出水温度和温度设定的不符	/ 恒温阀芯未被调节	/ 调节恒温器
	/ 热水温度过低	/ 将热水温度从42°C升高到60°C
/ 水温无法调节	/ 恒温阀芯表面结垢	/ 更换恒温阀芯
	/ 对于新的安装, 基体连接不正确 (可能是: 右冷, 左热) 或者安装时旋转180°	/ 安装功能块时, 旋转180°
/ 安全停止按钮不工作	/ 弹簧损坏	/ 清洁弹簧和或按钮, 并视需要更换
	/ 按钮僵化	
/ 使用恒温龙头后, 燃气热水器不工作	/ 过滤网有垃圾堵塞	/ 清洗过滤网/更换过滤网
	/ 单向阀装反	/ 正确安装单向阀
	/ 手持花洒的流量限制器没有去除	/ 去除流量限制器
/ 分流器不灵活	/ 阀芯损坏	/ 更换阀芯
/ 分流器泄漏	/ 密封位置上的脏物或沉积物	/ 清洁阀座或更换分流器

⚠ SAFETY NOTES

- ⚠ Gloves should be worn during installation to prevent crushing and cutting injuries.
- ⚠ The product may only be used for bathing, hygienic and body cleaning purposes.
- ⚠ Children as well as adults with physical, mental and/or sensoric impairments must not use this product without proper supervision. Persons under the influence of alcohol or drugs are prohibited from using this product.
- ⚠ The hot and cold supplies must be of equal pressures.

INSTALLATION INSTRUCTIONS

- / Prior to installation, inspect the product for transport damages. After it has been installed, no transport or surface damage will be honoured.
- / The pipes and the fixture must be installed, flushed and tested as per the applicable standards.
- / The plumbing codes applicable in the respective countries must be observed.

TECHNICAL DATA

Operating pressure:	max. 1 MPa
Recommended operating pressure:	0,1 - 0,5 MPa
Test pressure:	1,6 MPa
	(1 MPa = 10 bar = 147 PSI)
Hot water temperature:	max. 60°C
Thermal disinfection:	70°C / 4 min

- / Safety against backflow
- / The product is exclusively designed for drinking water!

SYMBOL DESCRIPTION



Do not use silicone containing acetic acid!

max. ≈ 42°C SAFETY FUNCTION (see page 08)

The desired maximum temperature for example max. 42°C can be pre-set thanks to the safety function.



ADJUSTMENT (see page 08)

After the installation, the output temperature of the thermostat must be checked. A correction is necessary if the temperature measured at the output differs from the temperature set on the thermostat.



MAINTENANCE (see page 10)

- / The check valves must be checked regularly according to EN 806-5 in accordance with national or regional regulations (at least once a year).
- / To guarantee the smooth running of the thermostat, it is necessary from time to time to turn the thermostat from total hot to total cold.



DIMENSIONS (see page 13)



FLOW DIAGRAM (see page 13)

free flow

- ① Outlet 1
- ② Outlet 2



SPARE PARTS (see page 12)



SPECIAL ACCESSORIES (see page 12)

order as an extra

- / extension 25 mm #13595000



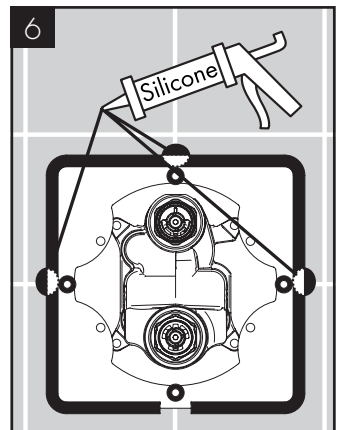
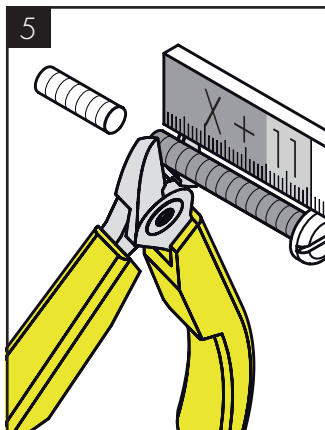
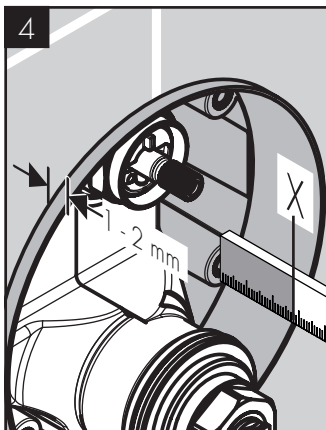
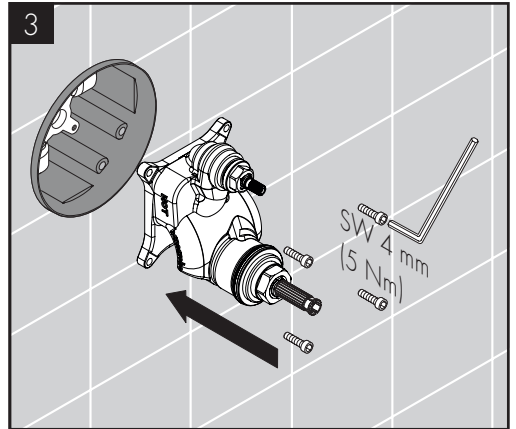
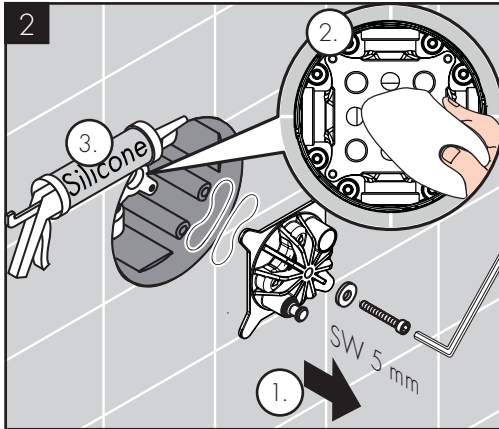
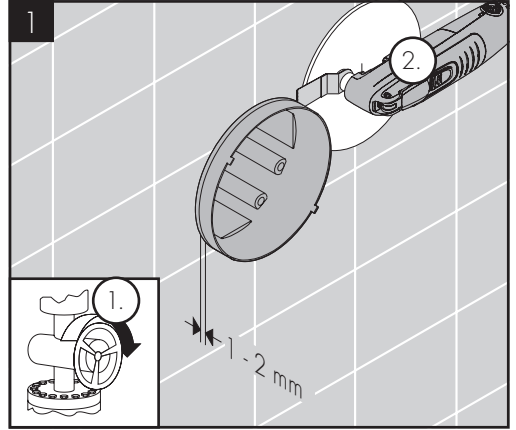
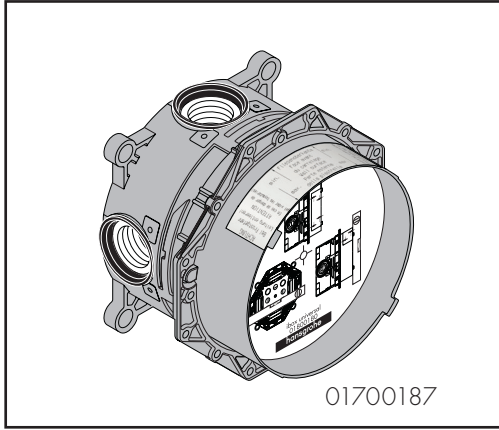
CLEANING (see page 14)

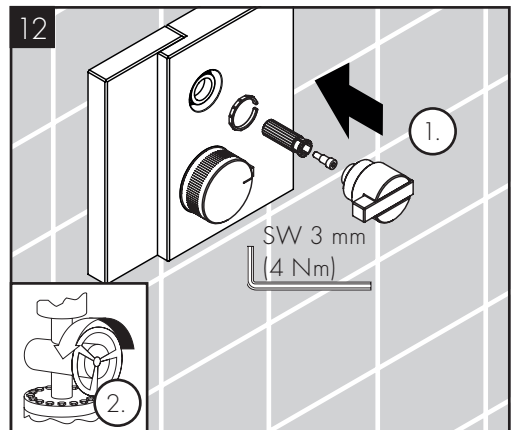
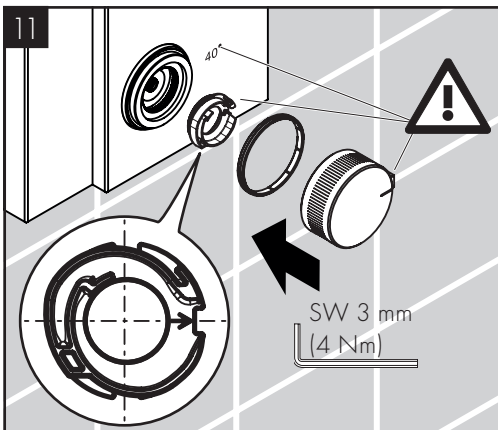
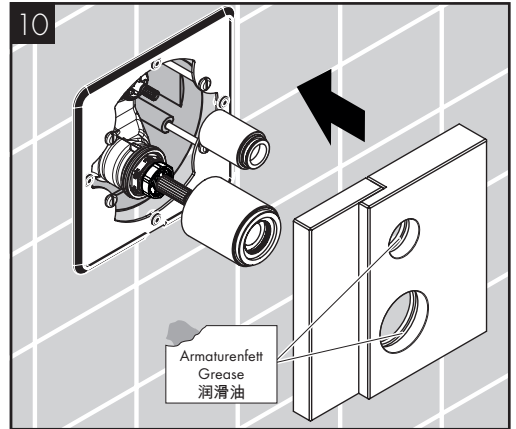
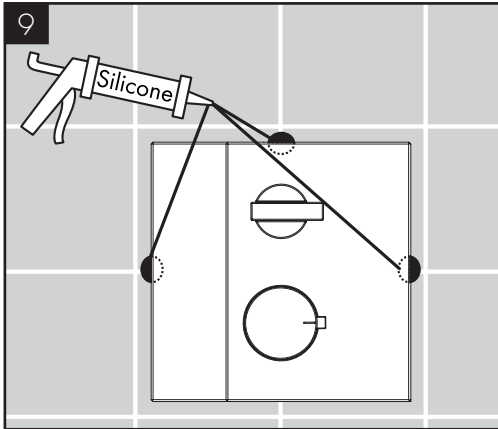
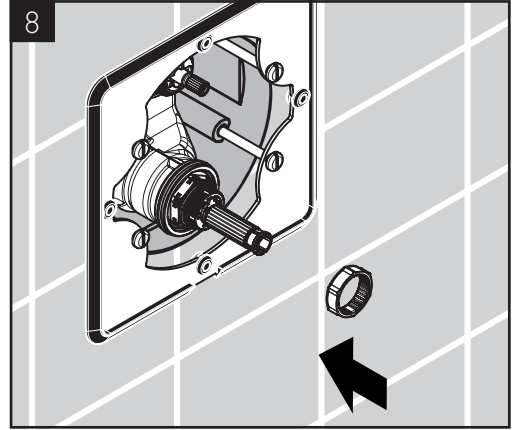
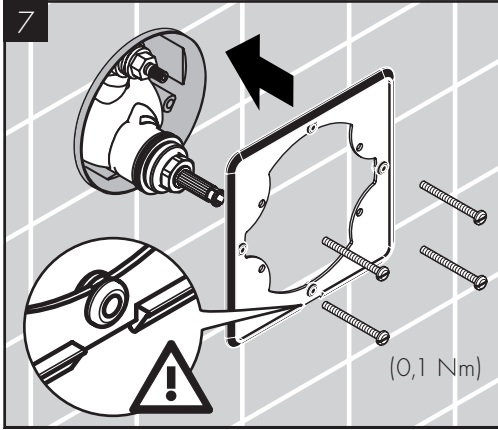


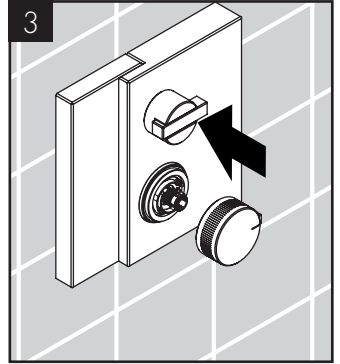
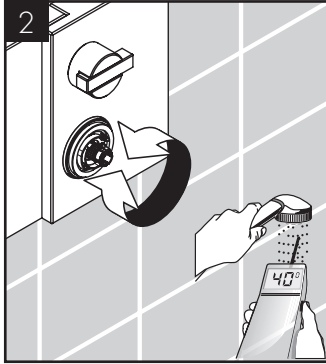
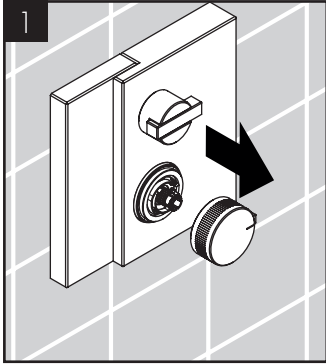
OPERATION (see page 16)

FAULT	CAUSE	REMEDY
/ Insufficient water	/ Supply pressure inadequate	/ Check water pressure (If a pump has been installed check to see if the pump is working).
	/ Regulator filter dirty	/ Clean filter in front of the mixer and on the MTC-thermo cartridge
	/ Shower filter seal dirty	/ Clean filter seal between shower and hose
/ Crossflow, hot water being forced into cold water pipe, or vice versa, when mixer is closed	/ Backflow preventers dirty or leaking	/ Clean backflow preventers, exchange if necessary
/ Spout temperature does not correspond with temperature set	/ Thermostat has not been adjusted	/ Adjust thermostat
	/ Hot water temperature too low	/ Increase hot water temperature to 42 °C to 60 °C
/ Temperature regulation not possible	/ thermo cartridge calcified	/ Exchange thermo cartridge
	/ For new installations: basic body incorrectly connected (should be: cold right, hot left) or installed with 180° rotation	/ Install function block turned through 180°
/ Safety stop button not operating	/ Spring defective	/ Clean spring and/or button, exchange if necessary
	/ Button calcified	
/ Instantaneous heater didn't work with thermostat	/ Filters are dirty	/ Clean the filter/exchange filter
	/ check valve hasn't moved back	/ Exchange check valves
	/ Flow limiter in handshower isn't removed	/ Remove flow limiter
/ Diverter stiff	/ Cartridge defective	/ Exchange cartridge
/ Diverter leaking	/ Dirt or sedimentation on valve seat.	/ Clean valve seat or exchange diverter

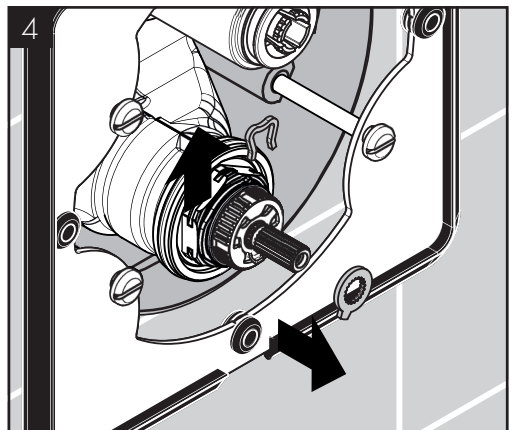
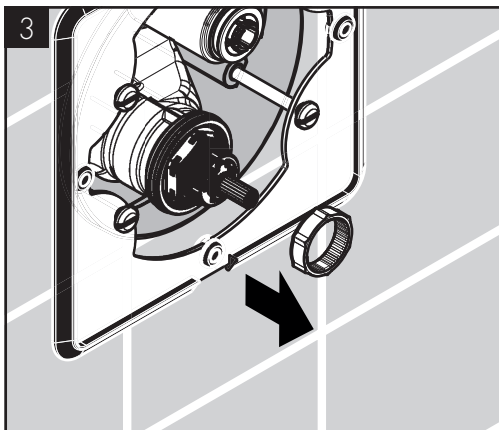
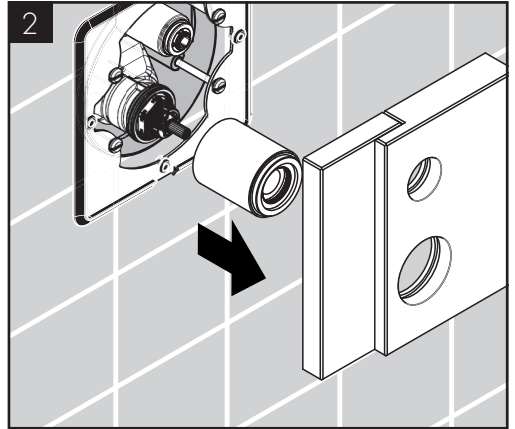
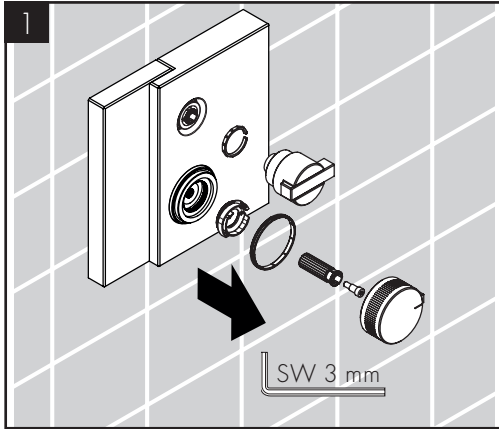


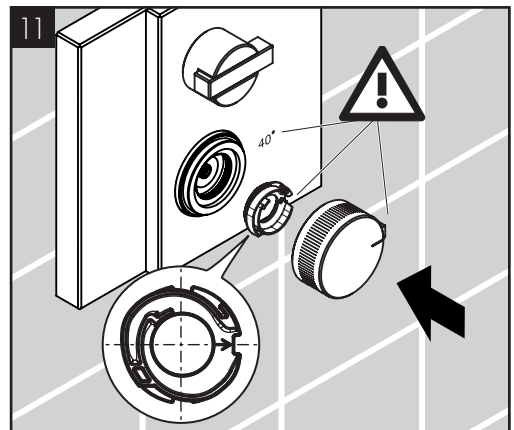
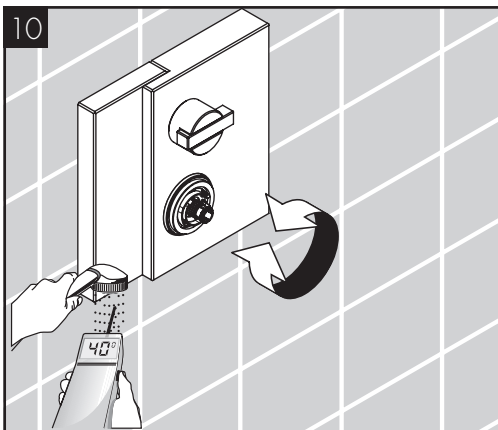
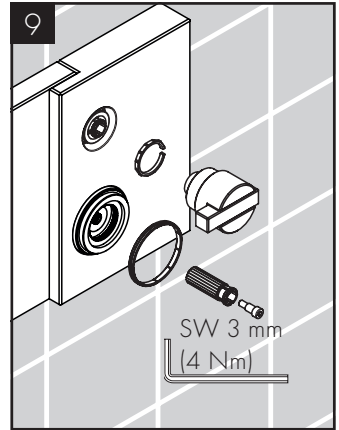
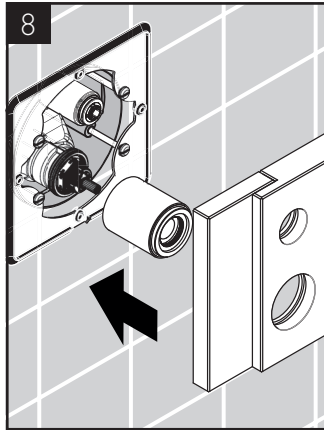
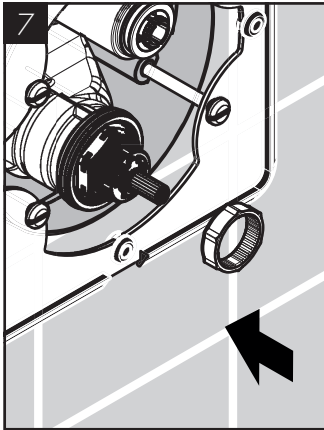
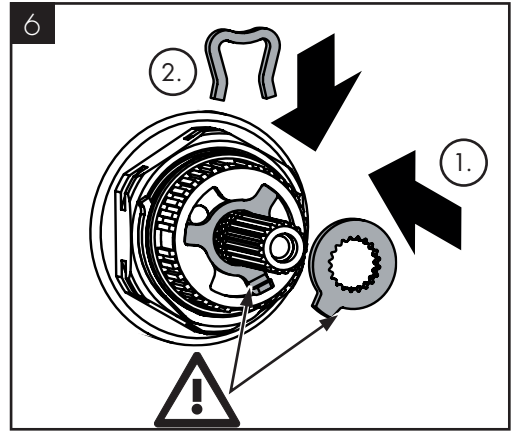
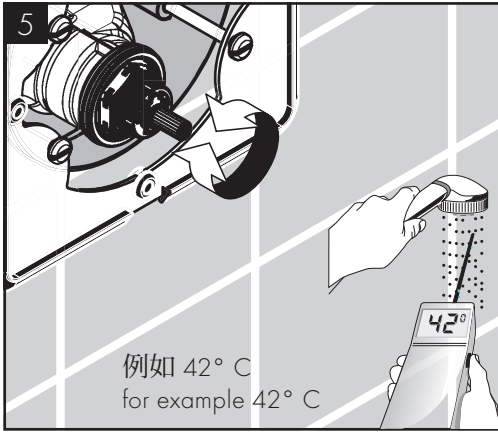


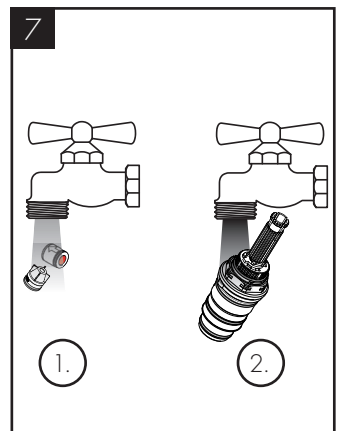
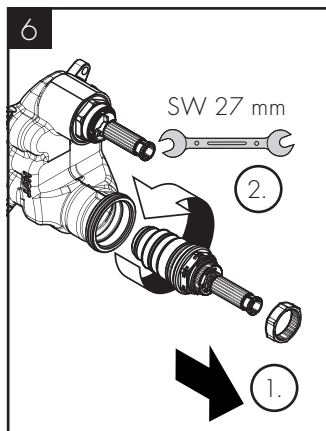
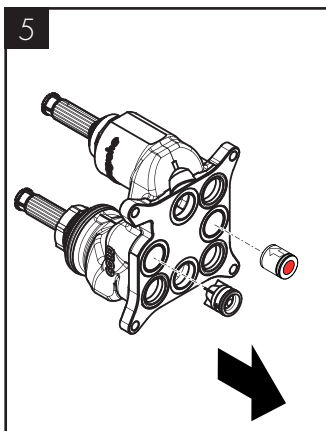
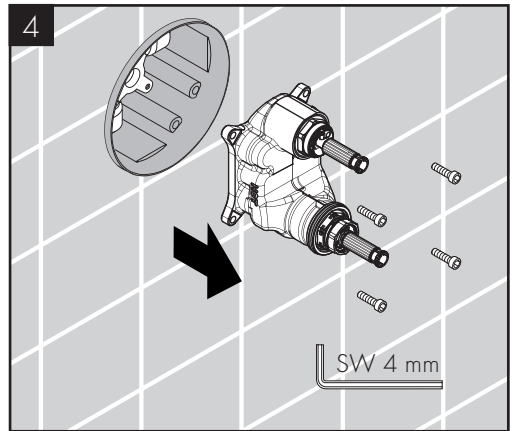
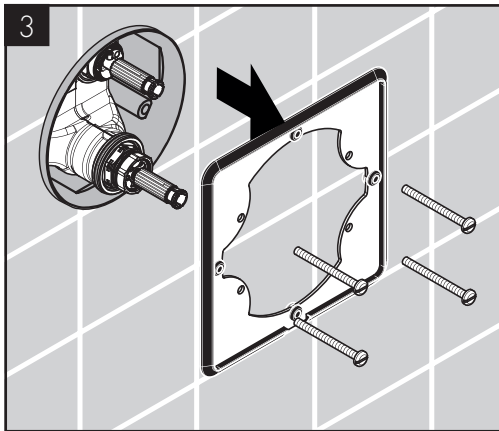
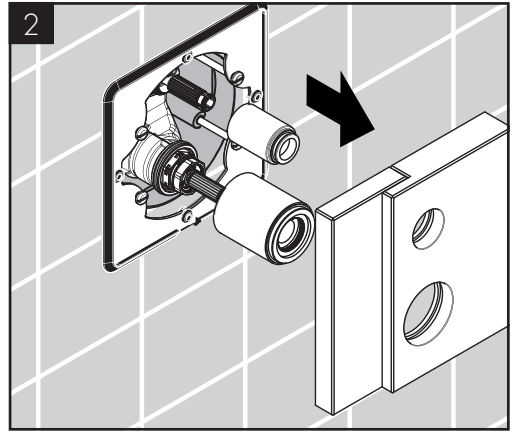
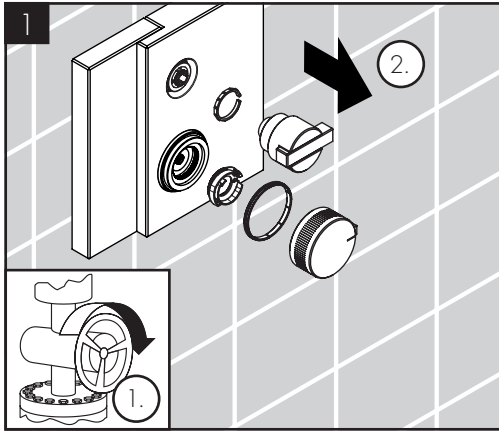


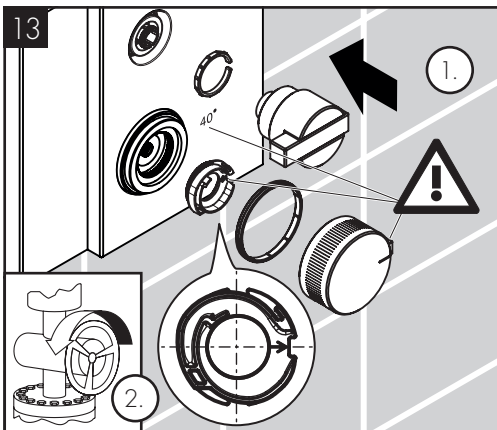
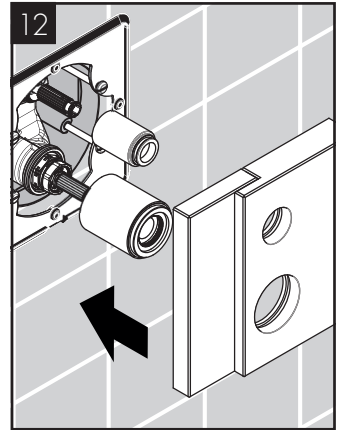
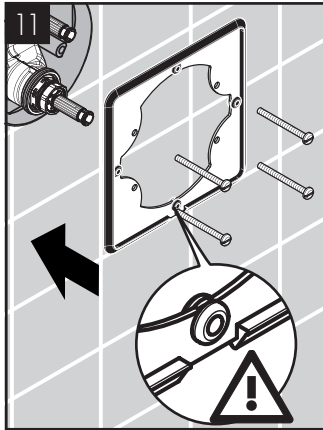
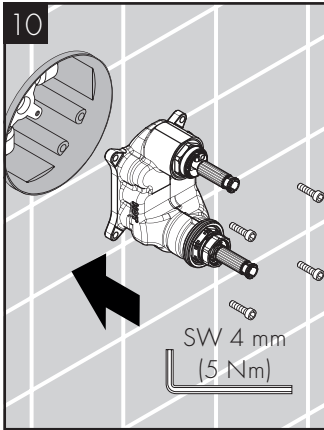
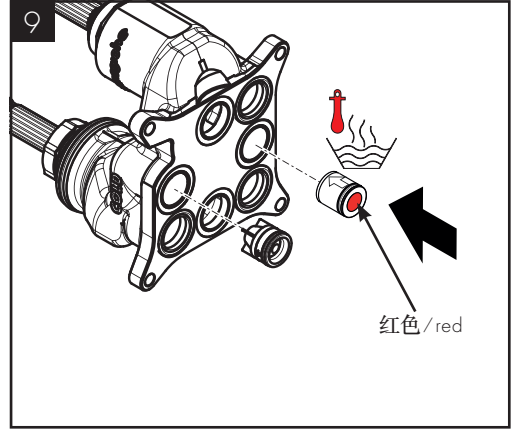
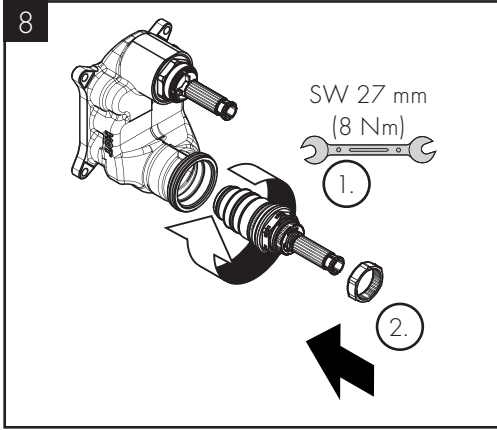


max.
≈ 42 °C





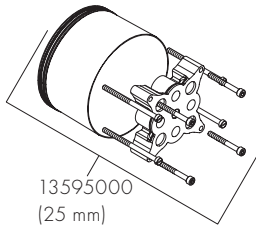
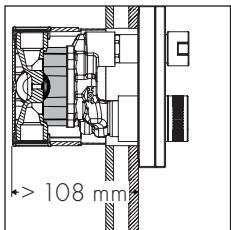
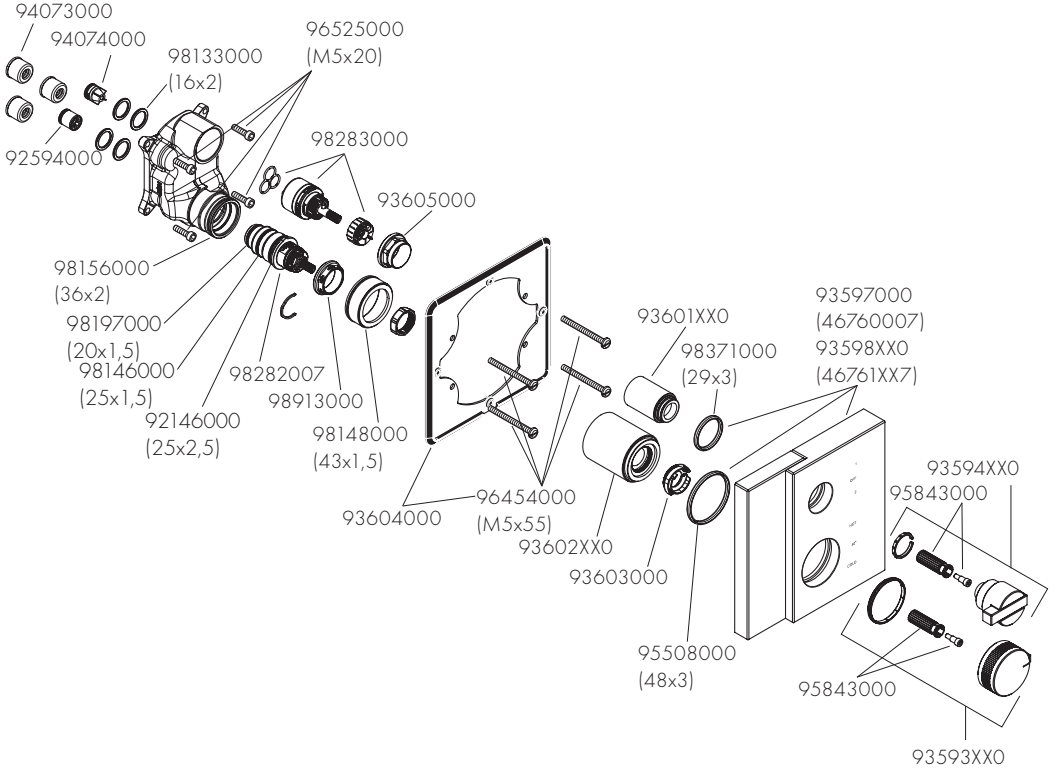






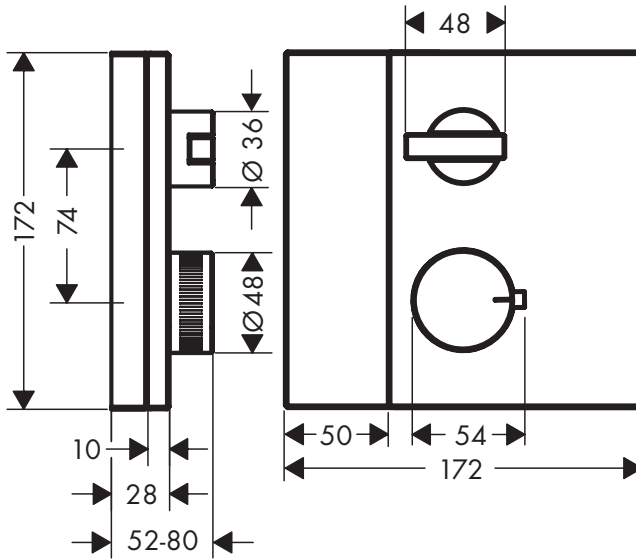
AXOR Edge

46760007 / 46761XX7

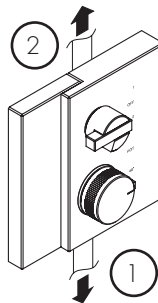
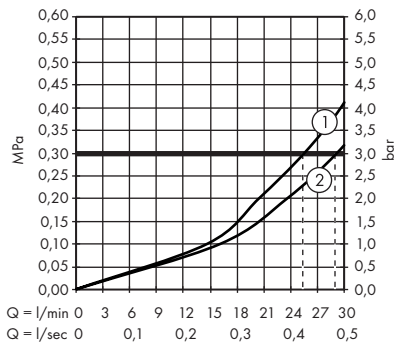




AXOR Edge
46760007 / 46761XX7



AXOR Edge
46760007 / 46761XX7





汉斯格雅产品的清洁建议

现代的卫浴龙头, 厨房龙头, 花洒, 配件, 盥洗台, 浴盆和加热器采用的制造材料非常迥异, 以适应产品外形设计和使用寿命的市场需求。

为了避免产品损坏和由此引发的投诉及争议, 必须在使用和清洁产品时遵循有关规程。

在保养汉斯格雅产品时, 原则上必须注意:

- / 只能使用那些有明确注明是适用于本产品的清洁剂。
- / 不允许使用含有盐酸, 蚁酸, 氯漂或醋酸的清洁剂, 因为这些清洁剂会给产品表面造成严重的损伤。
- / 含磷酸的清洁剂必须在特定条件下使用。
- / 不允许将两种以上清洁剂混合使用。
- / 不允许使用具有研磨作用的清洁工具和设备, 如不适合的清洁粉末, 海绵垫或超细麦克布。
- / 必须严格遵守清洁剂生产厂商的使用说明。
- / 严格遵守清洁剂的用量和作用时间, 决不允许清洁剂的作用时间长于规定值。
- / 定期的清洁以预防水垢。
- / 不允许将清洁剂直接喷射到汉斯格雅产品上, 因为喷雾会进入汉斯格雅产品的开口部分和缝隙中而造成损害。首先将清洁剂喷在软布上, 再用软布进行清洁。
- / 清洁之后必须用足够的水冲洗, 以彻底去除残留的吸附物(清洁剂)。
- / 不允许使用蒸汽清洗机, 高温会损害产品。

重要说明

肥皂, 洗发水, 沐浴液, 染发剂, 香水, 刮胡水, 指甲油的残留也会对产品造成损伤。

此处: 使用后要小心地用清水将剩余物冲洗干净。

同样在产品下方不得存放洗涤剂和化学药品, 例如不可放在用于洗脸盆的梳洗柜中否则挥发气体会损坏产品。

在已经损伤的表面继续使用清洁剂会给表面造成更大的损伤。

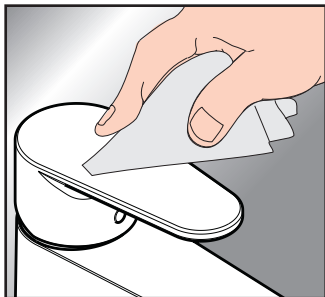


表面损坏的部件必须更换, 否则会有受伤的危险。

不按规定进行清洁而造成的任何损坏不在本公司产品保修范围之内。

担保

AXOR 向用户保证, 该产品无制造缺陷。如果自购买之日起五年内出现缺陷, AXOR 将免费排除。保证条件和详情见 www.hansgrohe-int.com/guarantee。在提出保修的权利时请联系您的合同方。本保证不涉及有关国家法律规定的消费权。





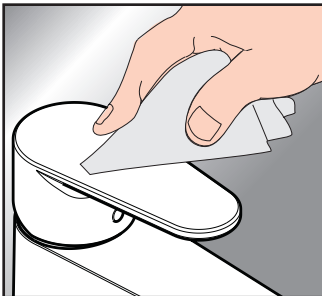
CLEANING RECOMMENDATION FOR AXOR PRODUCTS

Today, modern sanitary and kitchen tapware, showers, accessories, washstands, tubs and radiators consist of very different materials to comply with the needs of the market with regard to design and functionality.

To avoid damage and reclamations, it is necessary to consider certain criteria when cleaning.

WITH REGARD TO CARING FOR THE AXOR PRODUCTS, THE FOLLOWING MUST IN PRINCIPLE BE HEHEDED:

- / Only use cleaning material which is explicitly provided for this type of application.
- / Never use cleaning materials, which contain hydrochloric acid, formic acid, chlorine pale lye or acetic acid, as they cause considerable damage.
- / Phosphorus acidic cleaners are only conditionally applicable.
- / Mixing cleaning agents is not permitted, generally.
- / Never use cleaning materials or appliances with an abrasive effect, such as unsuitable cleaning powders, sponge pads or micro fibre cloths.
- / The instructions of the cleaning agent manufacturers have to be followed absolutely.
- / Cleaning has to be carried out with a specified cleaner dosage, contact time, object-related and adapted to the needs.
- / The building up of calcifications has to be removed by cleaning regularly.
- / When using spray cleaners, spray the cleaning solution onto a soft cloth or sponge, never directly onto the Axor products, as the atomised spray could enter openings and gaps in the Axor products and cause damage.
- / After cleaning rinse thoroughly with clean water to remove any cleaner residue.



- / The use of steam cleaners is not permitted. The high temperatures can damage the products.

IMPORTANT

Residues of toiletries such as liquid soaps, shampoos and shower gels, hair dyes, perfumes, aftershave and nail varnish can also cause damage.

Here too: Carefully rinse with water after use to remove residues.

Likewise, do not store any cleaning agents or chemicals under the products, for example in a vanity unit, as the vapours may damage the products.

The damage of already damaged surfaces will deteriorate under the effect of the cleansers.



COMPONENTS WITH DAMAGED SURFACES MUST BE EXCHANGED, OTHERWISE THERE COULD BE AN INJURY DANGER.

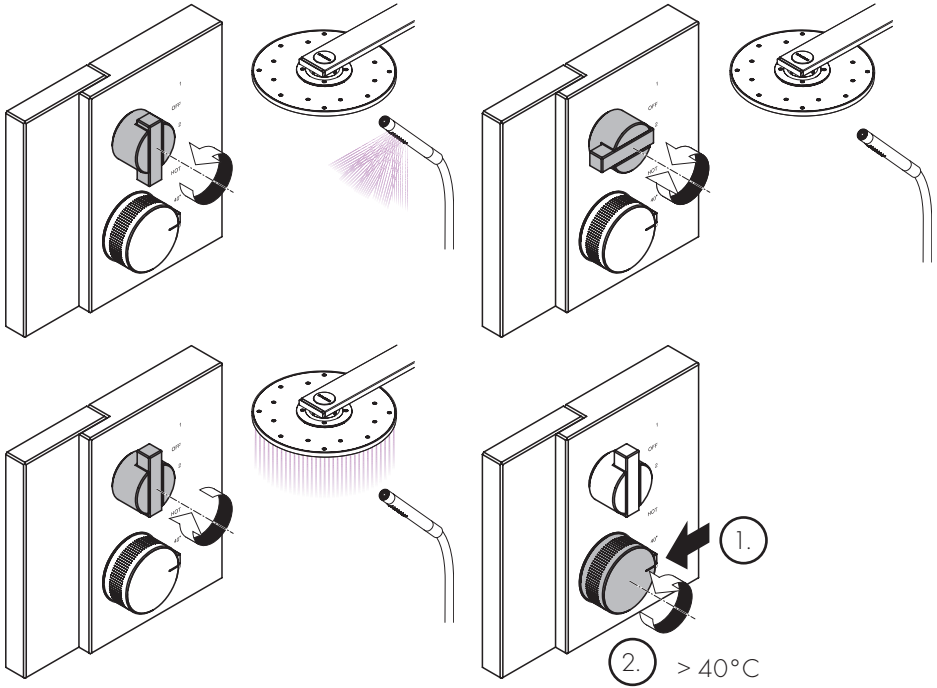
Damage caused by improper treatment will not be covered by our guarantee.

WARRANTY

AXOR guarantees to the consumer that this product is free of production faults. If nevertheless any defect is detected within 5 years from date of purchase, AXOR will remedy this defect free of charge. You will find the conditions and details of this guarantee at www.hansgrohe-int.com/guarantee. Please contact your contracting party to claim your rights under this guarantee. This guarantee does not affect the customer's rights under the respective national legislation.

AXOR

AXOR Edge
46760007 / 46761XX7



AXOR / Hansgrohe SE
Austraße 5-9
77761 Schiltach
Deutschland

info@axor-design.com
axor-design.com