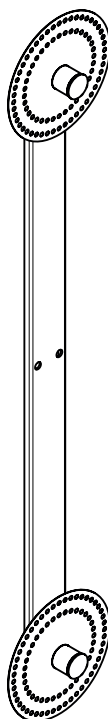


# AXOR



ZH / 组装说明  
EN / Assembly instructions

02 AXOR One  
02 48798187

## INSTALLATION





**△ 安全技巧**

- △ 装配时为避免挤压和切割受伤，必须戴上手套。
- △ 冷热水管间过大的压力差必须予以平衡。

**安装提示**

- / 安装前必须检查产品是否受到运输损害。安装后将不认可运输损害或表面损伤。
  - / 管道和阀门必须根据通用标准进行安装、冲洗和检查。
  - / 请遵守当地国家现行的安装规定。
- 不能热粘贴密封涂层。

**符号说明**

-  请勿使用含有乙酸的硅胶！
-  安装示意 (参见第页 04)
-  大小 (参见第页 03)
-  备用零件 (参见第页 07)

**△ SAFETY NOTES**





- △ Gloves should be worn during installation to prevent crushing and cutting injuries.
- △ The hot and cold supplies must be of equal pressures.

**INSTALLATION INSTRUCTIONS**

- / Prior to installation, inspect the product for transport damages. After it has been installed, no transport or surface damage will be honoured.
- / The pipes and the fixture must be installed, flushed and tested as per the applicable standards.
- / The plumbing codes applicable in the respective countries must be observed.

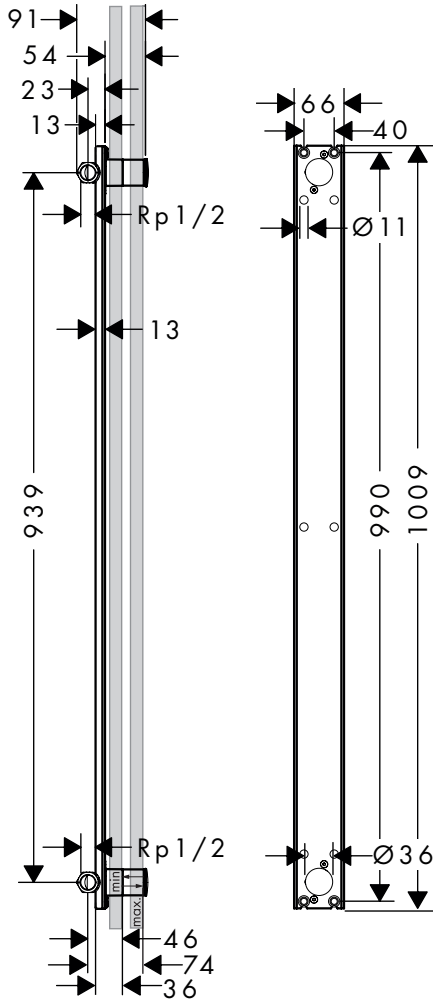
The gasket is not suitable for hot glue.

**SYMBOL DESCRIPTION**

-  Do not use silicone containing acetic acid!
-  INSTALLATION EXAMPLE (see page 04)
-  DIMENSIONS (see page 03)
-  SPARE PARTS (see page 07)

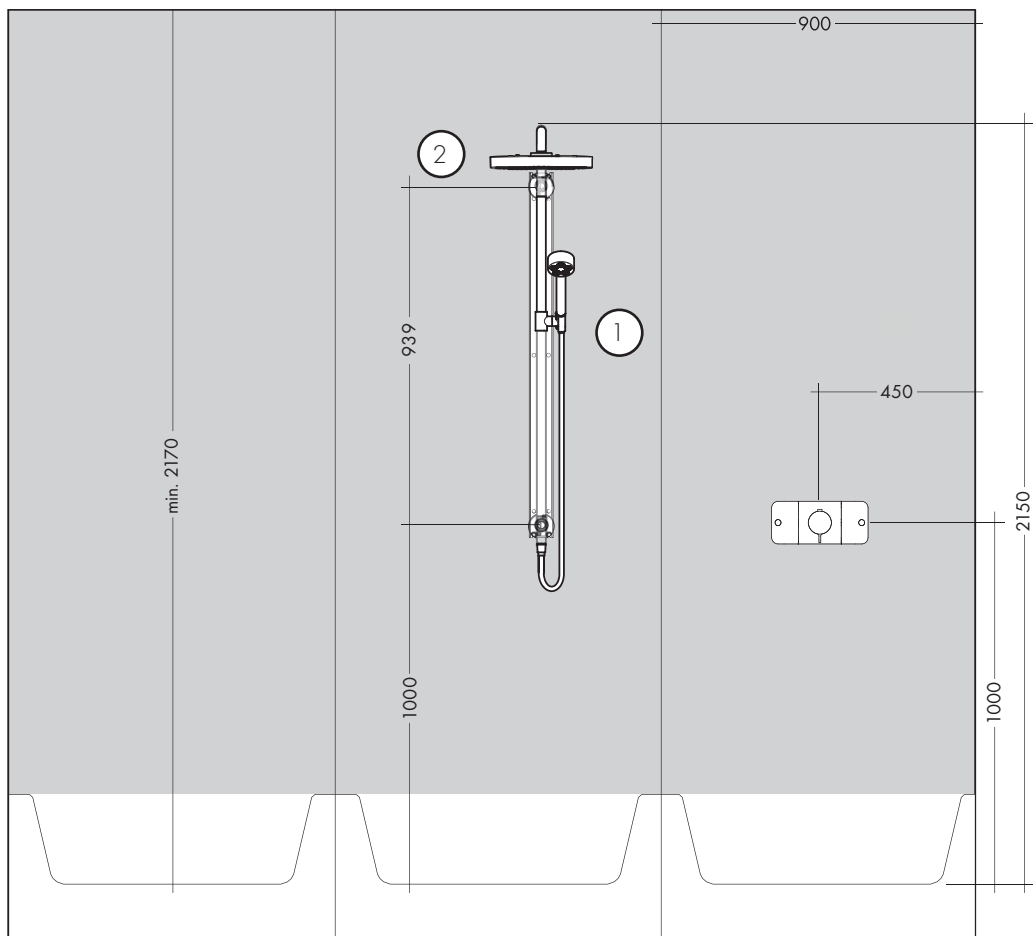


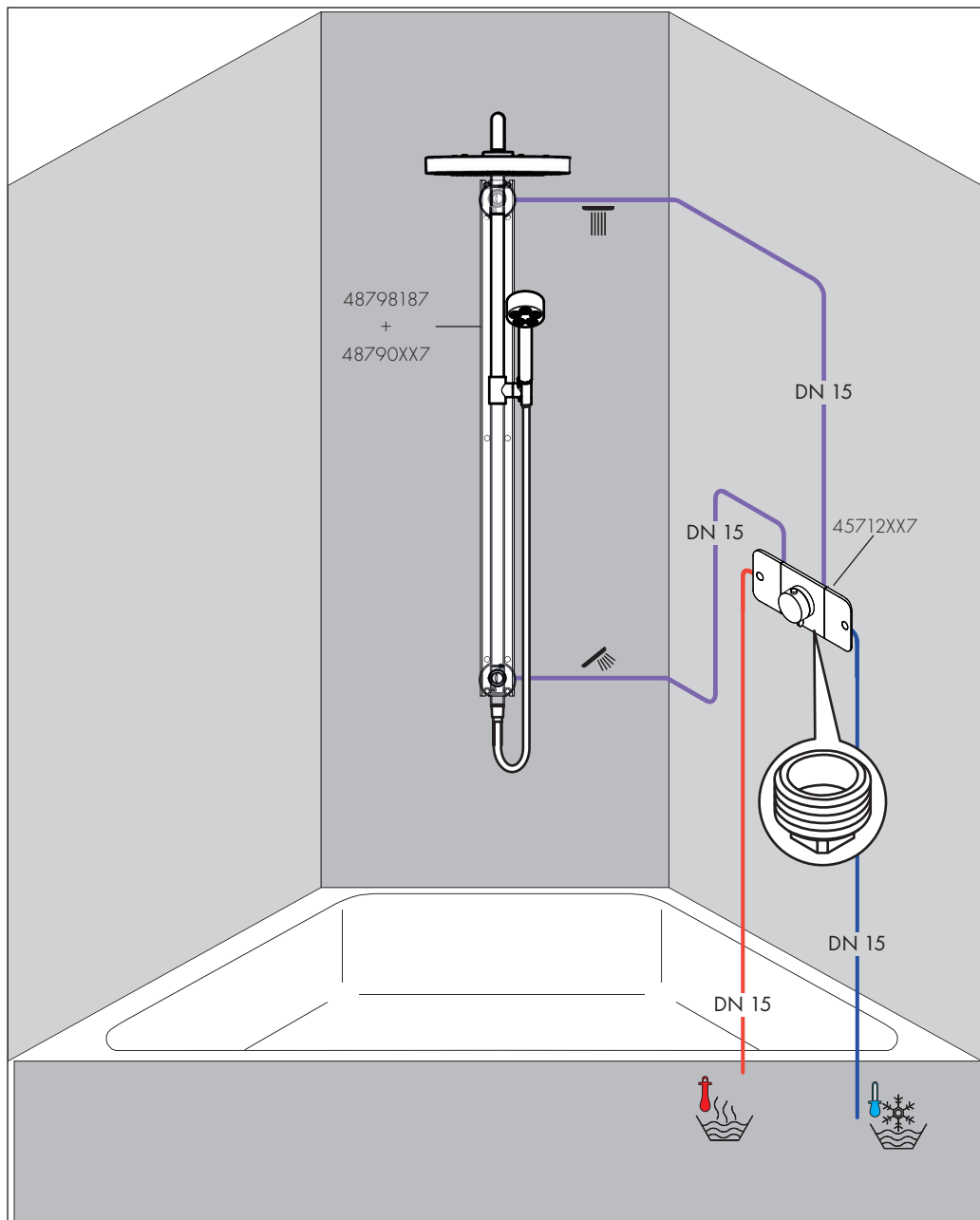
AXOR One  
48798187

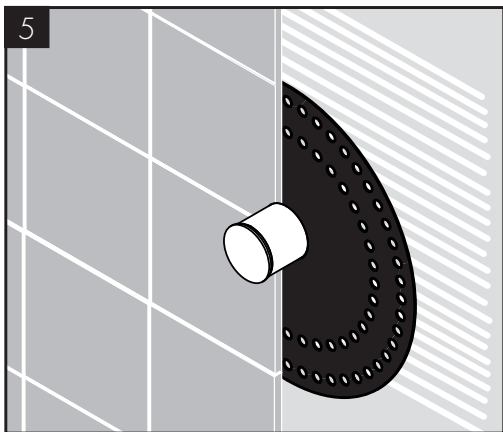
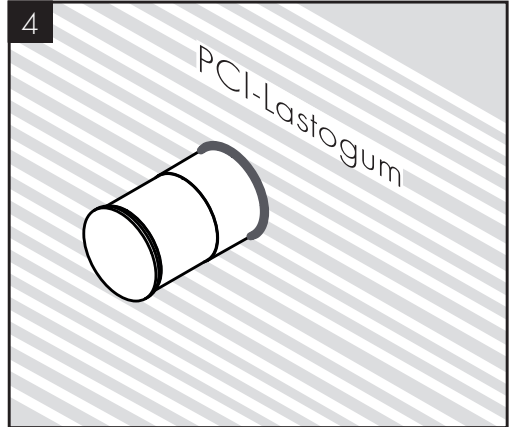
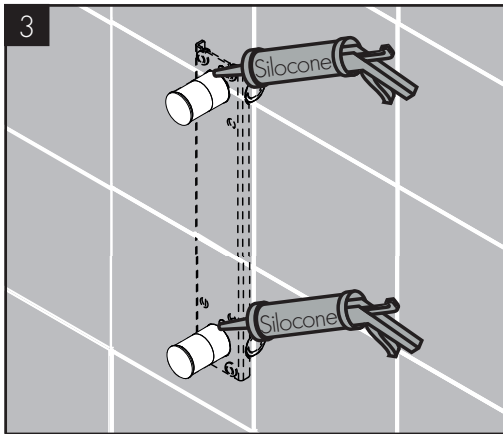
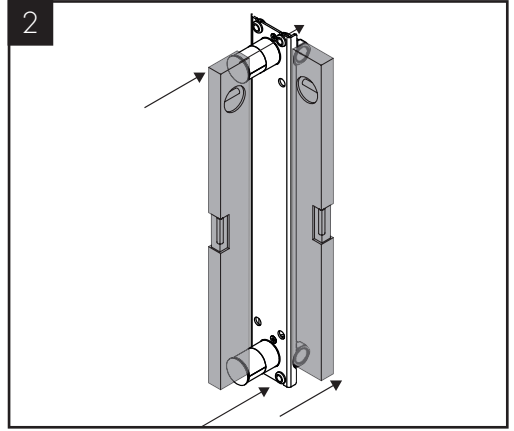
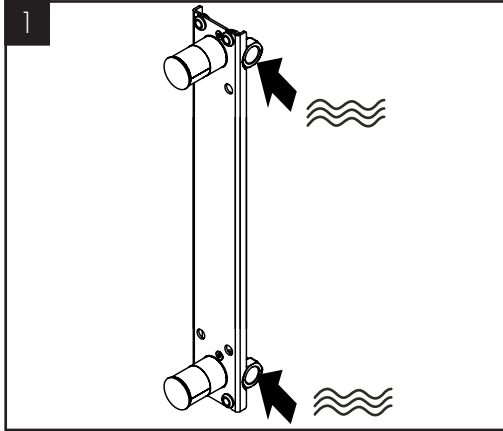




AXOR One 280 1jet Showerpipe  
48790XX7

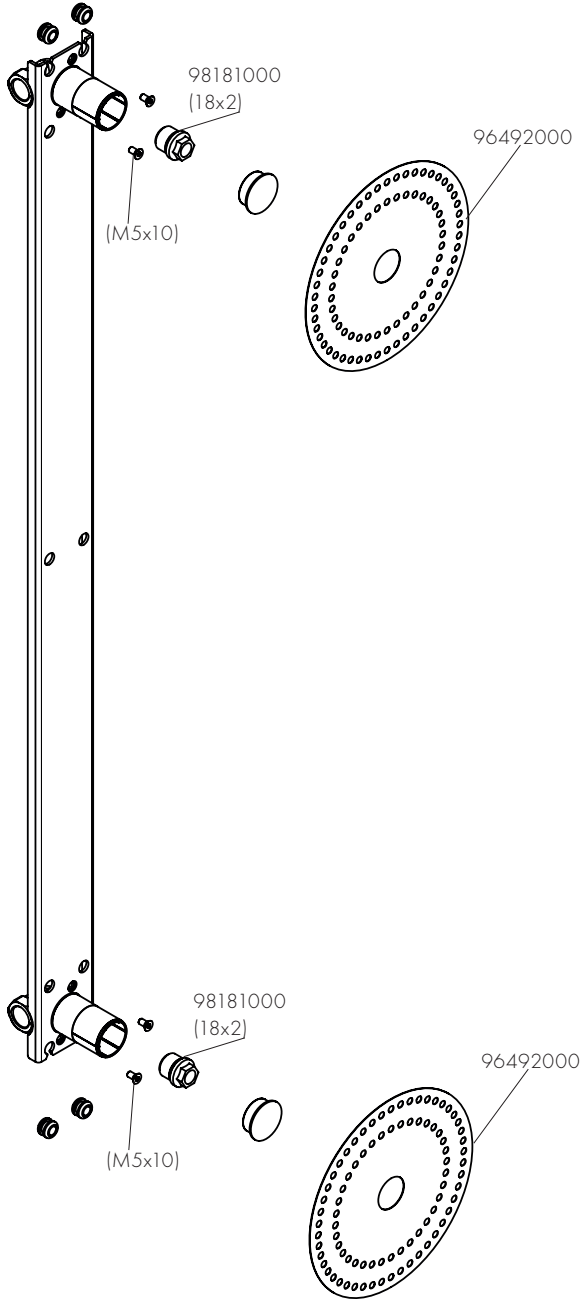








AXOR One  
48798187



# AXOR

AXOR / Hansgrohe SE  
Austraße 5-9  
77761 Schiltach  
Deutschland

[info@axor-design.com](mailto:info@axor-design.com)  
[axor-design.com](http://axor-design.com)

04/2021  
9.07747.51