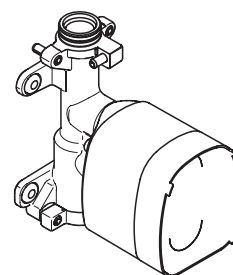
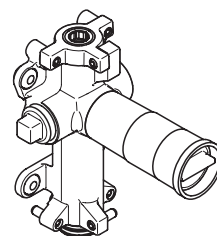


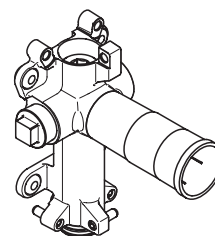
AXOR ShowerCollection
10750187



AXOR ShowerCollection
10650187



AXOR ShowerCollection
10971187



AXOR ShowerCollection
28486187

ZH / 组装说明
EN / assembly instructions

02
03

安全技巧

- △ 装配时为避免挤压和切割受伤，必须戴上手套。
- △ 本产品只允许作为洗浴、卫生和洁身之用。
- △ 不得让儿童和肢体、精神和/或意识有障碍的成人在不受监管的情况下使用淋浴系统。受酒精或毒品影响的人员不得使用淋浴系统。
- △ 必须避免让身体敏感部位（如眼睛）接触到莲蓬头喷水。必须保持莲蓬头与人头之间有足够的距离。
- △ 冷热水管间过大的压力差必须予以平衡。

△ 电气连接

- △ 电气接口只能由电气专业人员进行操作！
- △ 预安装供电电缆230V/NPE/50Hz（长度 0.3米）
- △ 在进行电力安装的过程中，遵守有效的德国电工规范以及本国的电力危险防护规定。

缺陷电流保护装置

- △ 保险装置必须是额定电流 ≤ 30 mA的故障电流保护装置。

△ 电气安装人员

- △ 安装和检查工作由有资质的电气专业人员按照德国电气工程协会VDE 0100标准中第701项和国际电工委员会IEC 60364-7-701标准执行。

安装提示

- / 安装前必须检查产品是否受到运输损害。安装后将不认可运输损害或表面损伤。
- / 管道和阀门必须根据通用标准进行安装、冲洗和检查。
- / 请遵守当地国家现行的安装规定。
- / 由有资格的专业人员进行产品安装时请注意：在所有加固区域中，加固表面是否平整（无突出的接缝或瓷砖），墙体结构是否适合产品安装且未显露出任何缺点。
- / 钻孔时请注意电线和水管！
- / 废水管的性能必须具有充足的尺寸。

技术参数

工作压强:	最大 1 MPa
推荐工作压强:	0,1 - 0,5 MPa
测试压强:	1,6 MPa
	(1 MPa = 10 bar = 147 PSI)
热水温度:	最大 70°C
推荐热水温度:	65°C
连接管线:	G1/2 & G3/4
流量 钟 ^{0,3} MPa:	
10750187 (1 用户)	44 升/分钟
10750187 (2 用户)	55 升/分钟
10650187	25 升/分钟
10971187	55 升/分钟
28486187	50 升/分钟
热力消毒:	最大 70°C / 4 分钟

该产品专为饮用水设计！
自动防止回流

符号说明

	请勿使用含有乙酸的硅胶！		中心淋浴盆		电位均衡
	大小 (参见第页 27)		调节水 / 关闭水流		零线
	安装示意 (参见第页 4) 按照构造的实际情况布置模块。		空管EN20		导线
	备用零件 (参见第页 29)		配戴保护手套		FI保护开关
	电气安装人员		电流 接通/断开		照明开关
	保养 单向阀必须在符合国家或当地的法律的情况下按照DIN EN 1717定期检查（至少一年一次）。		装配顺序		变压器
			堵塞支路 插入不使用的插座。		灯具
			管道梯度 安装水管，用于带有梯度的淋浴器。		插座连接
	水连接 DN20 热水				扬声器放大器
	水连接 DN20 冷水				墙壁必要加强的区域 该区域需要一个加固边壁。

SAFETY NOTES

- ⚠ Gloves should be worn during installation to prevent crushing and cutting injuries.
- ⚠ The product may only be used for bathing, hygienic and body cleaning purposes.
- ⚠ Children as well as adults with physical, mental and/or sensoric impairments must not use this product without proper supervision. Persons under the influence of alcohol or drugs are prohibited from using this product.
- ⚠ Do not allow the streams of the shower touch sensitive body parts (such as your eyes). An adequate distance must be kept between the shower and you.
- ⚠ The hot and cold supplies must be of equal pressures.

⚠ ELECTRICAL CONNECTION

- ⚠ The electrical connection may only be carried out by an electrician!
- ⚠ Preinstall electrical power 230 V/N/PE/50 Hz (length: 0.3 m)
- ⚠ The current version of the applicable regulations from VDE, local authorities and utility companies must be observed for electric installation work.

RESIDUAL CURRENT PROTECTION SYSTEM

- ⚠ The system must be protected via a leakage current protective device (RCD/FI) with a measurement difference current of ≤ 30 mA.

⚠ ELECTRICIAN

- ⚠ The installation and testing work must be performed by a skilled electrician in observance of VDE 0100 part 701 and IEC 60364-7-701.

INSTALLATION INSTRUCTIONS

- / Prior to installation, inspect the product for transport damages. After it has been installed, no transport or surface damage will be honoured.
- / The pipes and the fixture must be installed, flushed and tested as per the applicable standards.
- / The plumbing codes applicable in the respective countries must be observed.
- / During installation of the product by qualified trained personnel, make sure that the entire fastening surface is even and smooth (no protruding seams or tile offset), that the finish of the wall is suitable to apply the product and has no weak points.
- / Observe all current and water lines when drilling!
- / The performance of the waste must be of sufficient size.

TECHNICAL DATA

Operating pressure:	max. 1 MPa
Recommended operating pressure:	0,1 - 0,5 MPa
Test pressure:	1,6 MPa (1 MPa = 10 bar = 147 PSI)
Hot water temperature:	max. 70°C
Recommended hot water temp.:	65°C
Connections:	G1/2 & G3/4
Rate of flow by 0,3 MPa:	
10750187 (1 Consumer)	44 l/min
10750187 (2 Consumer)	55 l/min
10650187	25 l/min
10971187	55 l/min
28486187	50 l/min
Thermal disinfection:	max. 70°C / 4 min

The product is exclusively designed for drinking water!
Safety against backflow

SYMBOL DESCRIPTION

 Do not use silicone containing acetic acid!

 DIMENSIONS (see page 27)

 INSTALLATION EXAMPLE (see page 4)

Adjust the module arrangement to the local conditions

 SPARE PARTS (see page 29)

 ELECTRICIAN

 MAINTENANCE

The check valves must be checked regularly according to DIN EN 1717 in accordance with national or regional regulations (at least once a year).

 Water connection DN20

Warm water

 Water connection DN20

Cold water

 CENTER SHOWER TUB

 TURN ON WATER / TURN OFF WATER

 EMPTY PIPE EN20

 SAFETY GLOVES MUST BE WORN

 ELECTRICITY ON / OFF

INSTALLATION SEQUENCE

 PLUG OUTLETS
Plug the unused outlet.

 PIPE DECLINE
Install water pipes for body showers with a gradient.

PE POTENTIAL EQUALISATION

N NEUTRAL CONDUCTOR

L CONDUCTOR

FI FI PROTECTIVE SWITCH

 LIGHT SWITCH

 TRANSFORMER

 ILLUMINANT

 CONNECTORS

 AMPLIFIER FOR SPEAKER

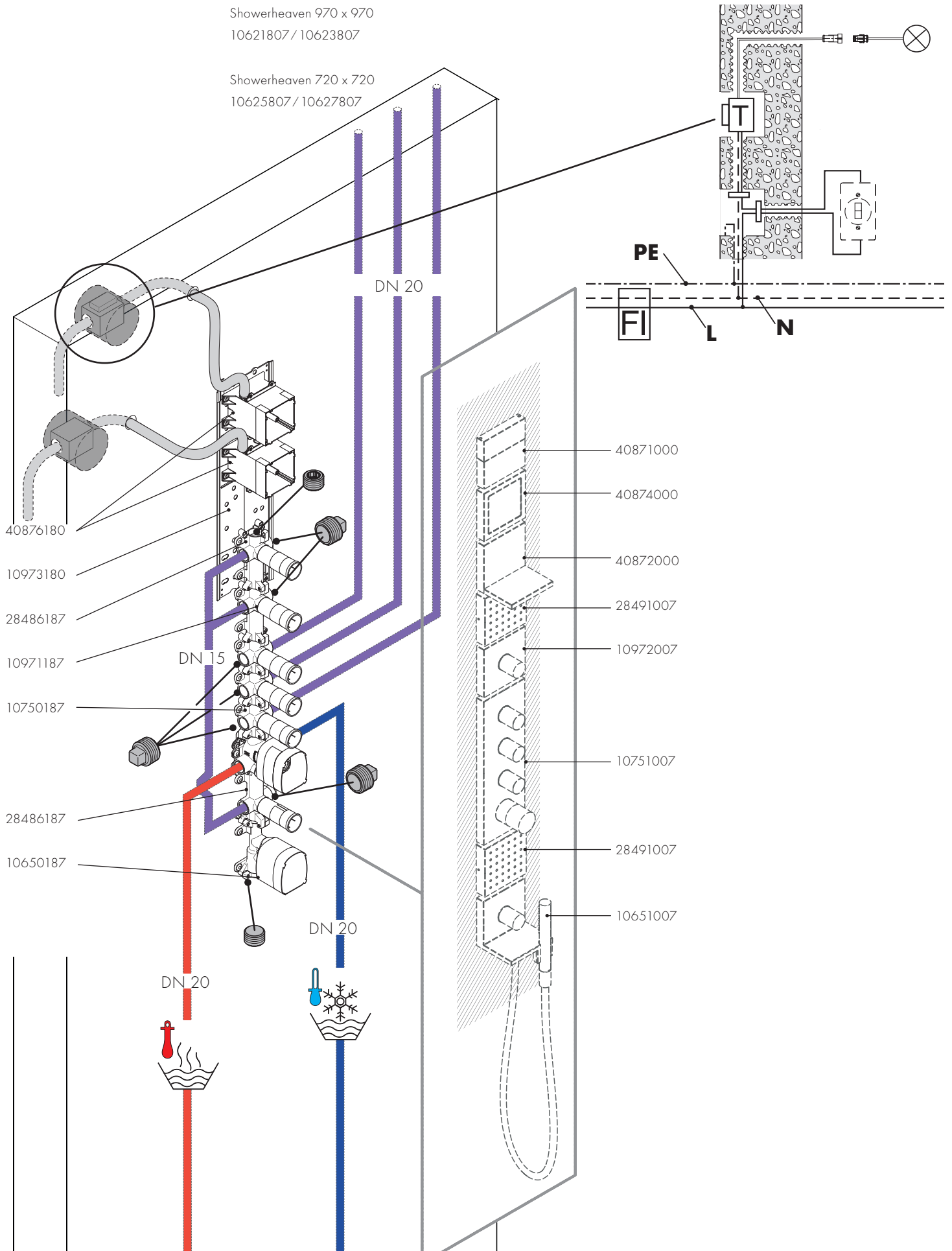
 AREA FOR REQUIRED WALL REINFORCEMENT

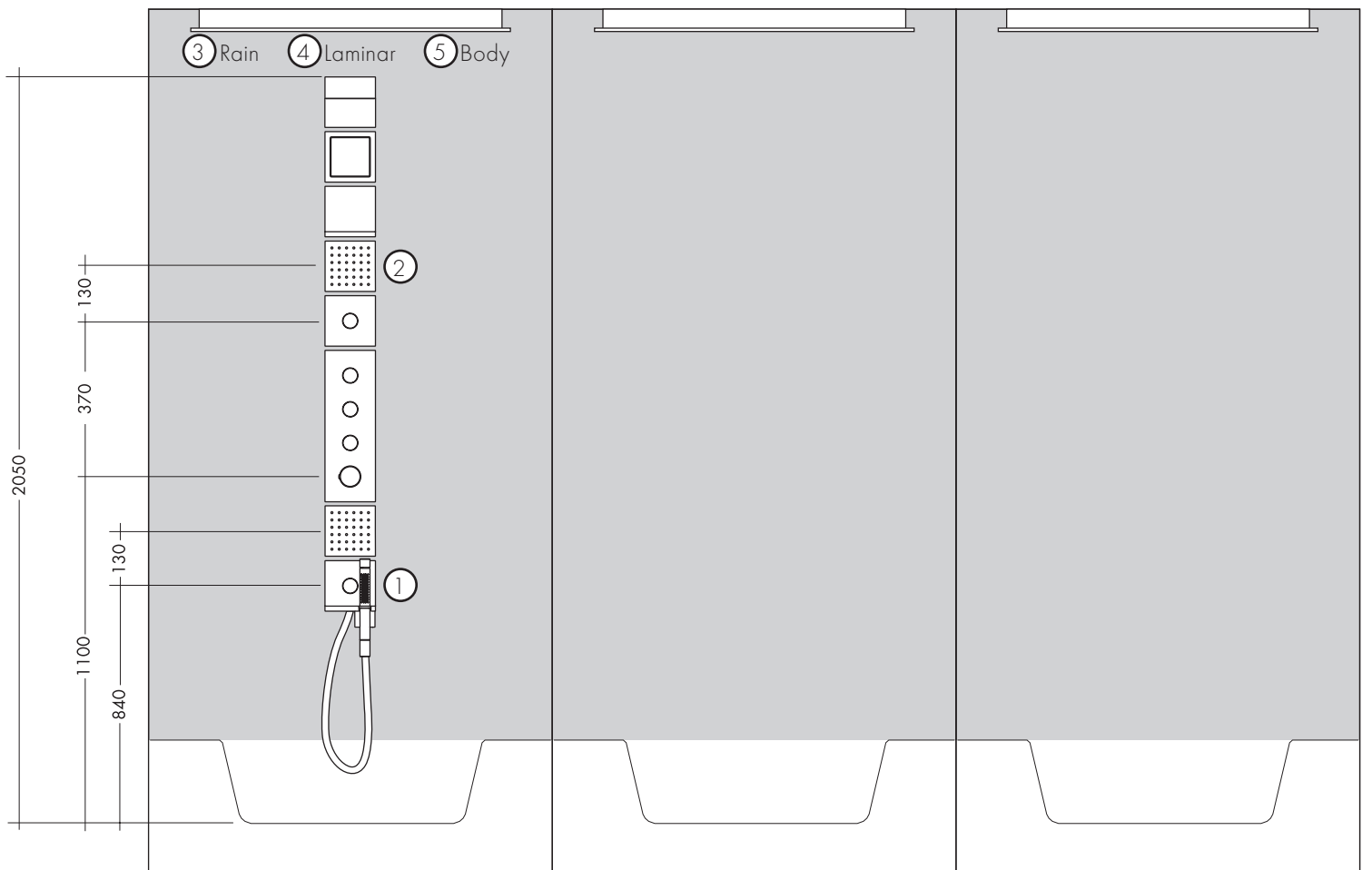
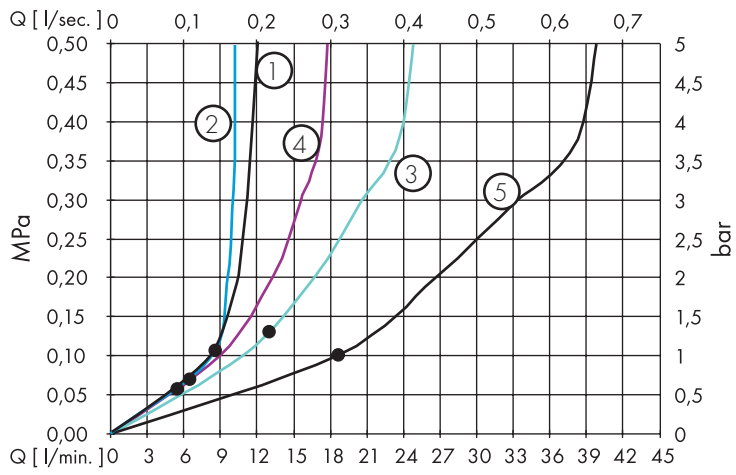
The wall must be reinforced in this area.

ASSEMBLY (see page 24) 

Showerheaven 970 x 970
10621807 / 10623807

Showerheaven 720 x 720
10625807 / 10627807

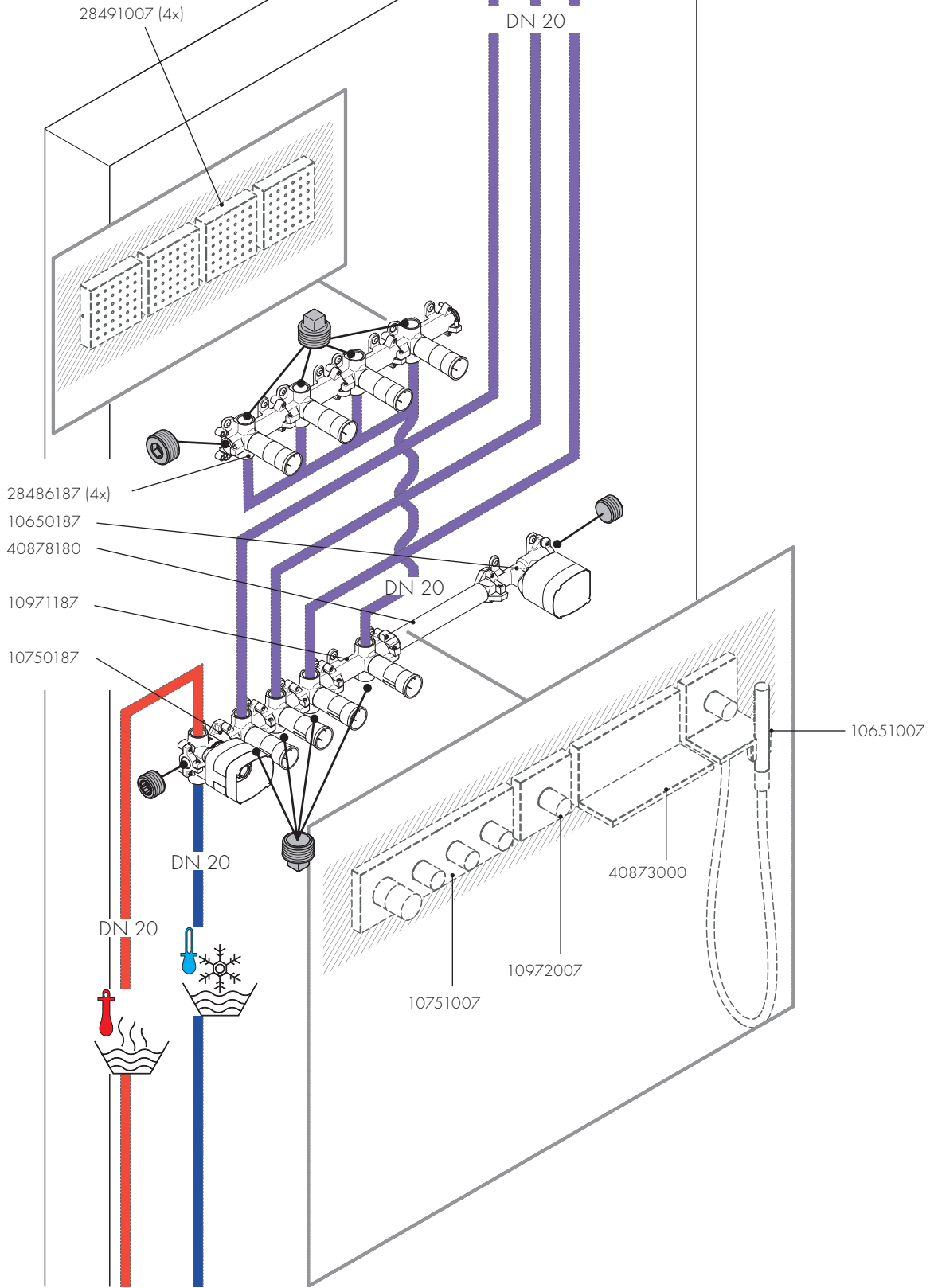


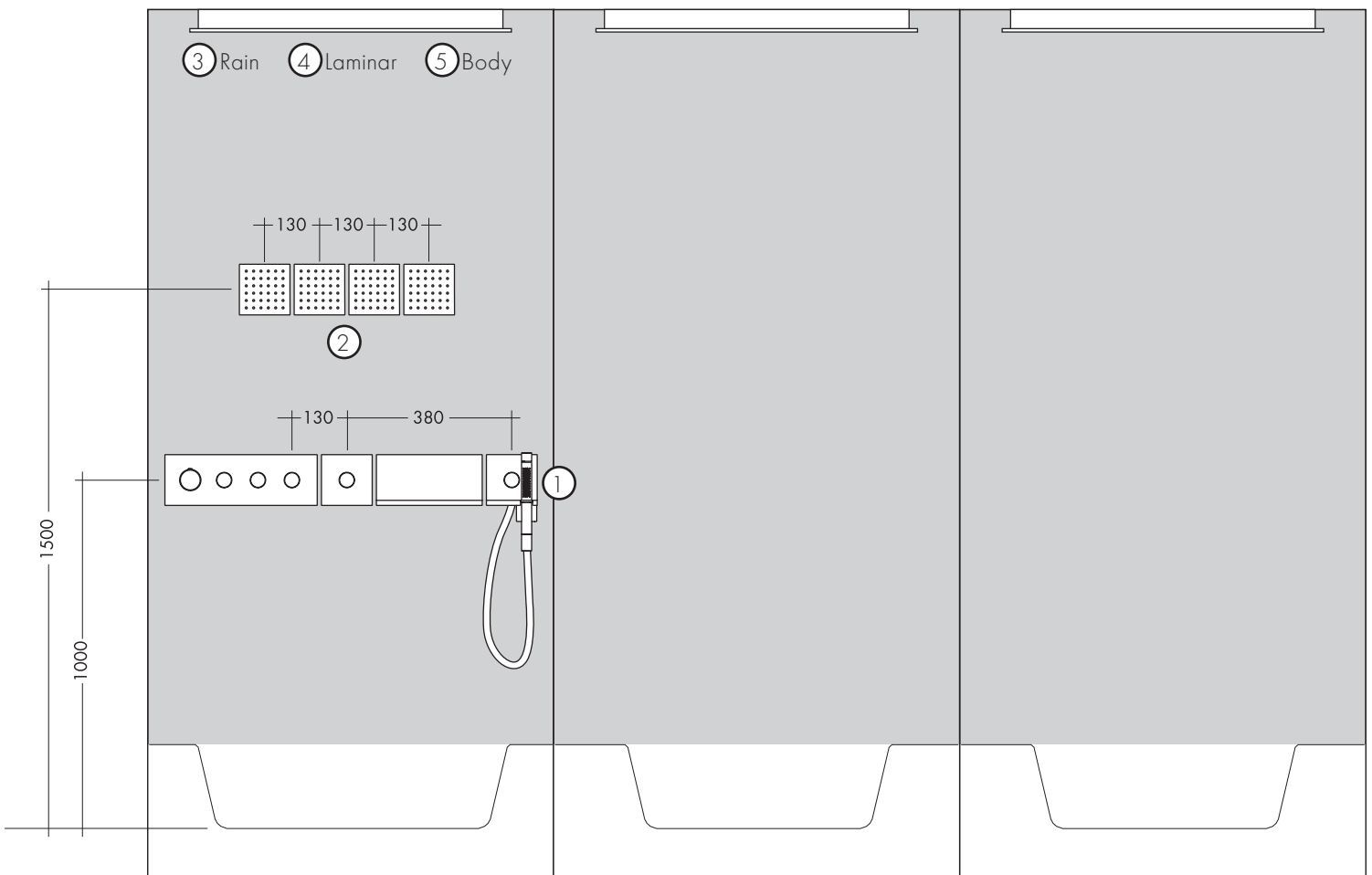
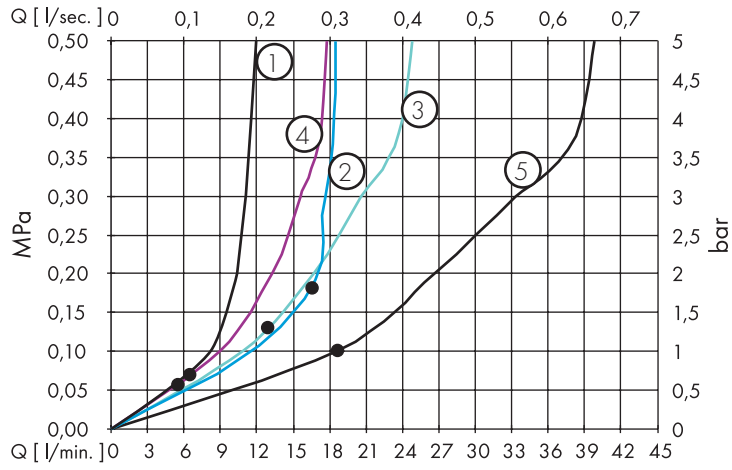


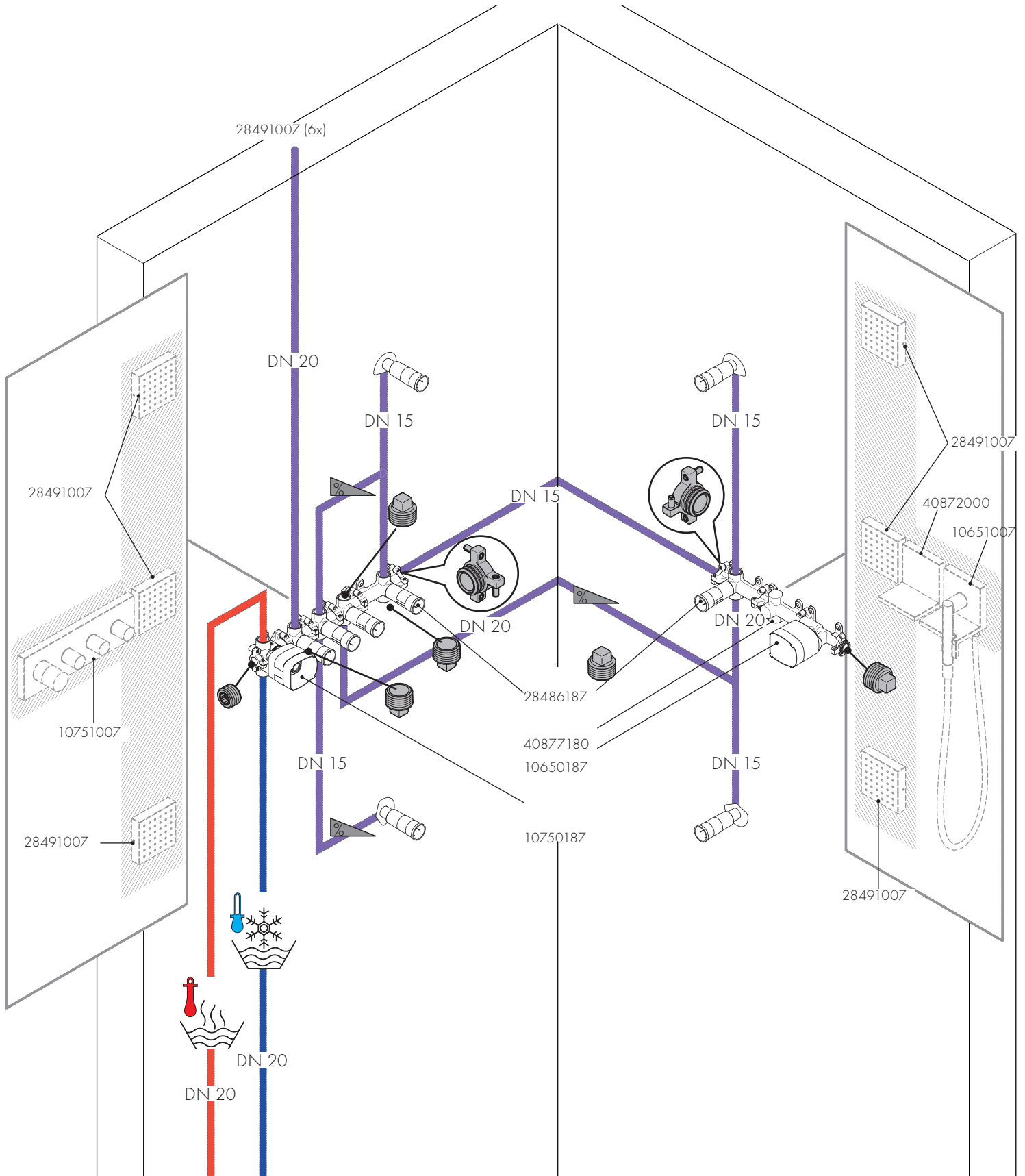


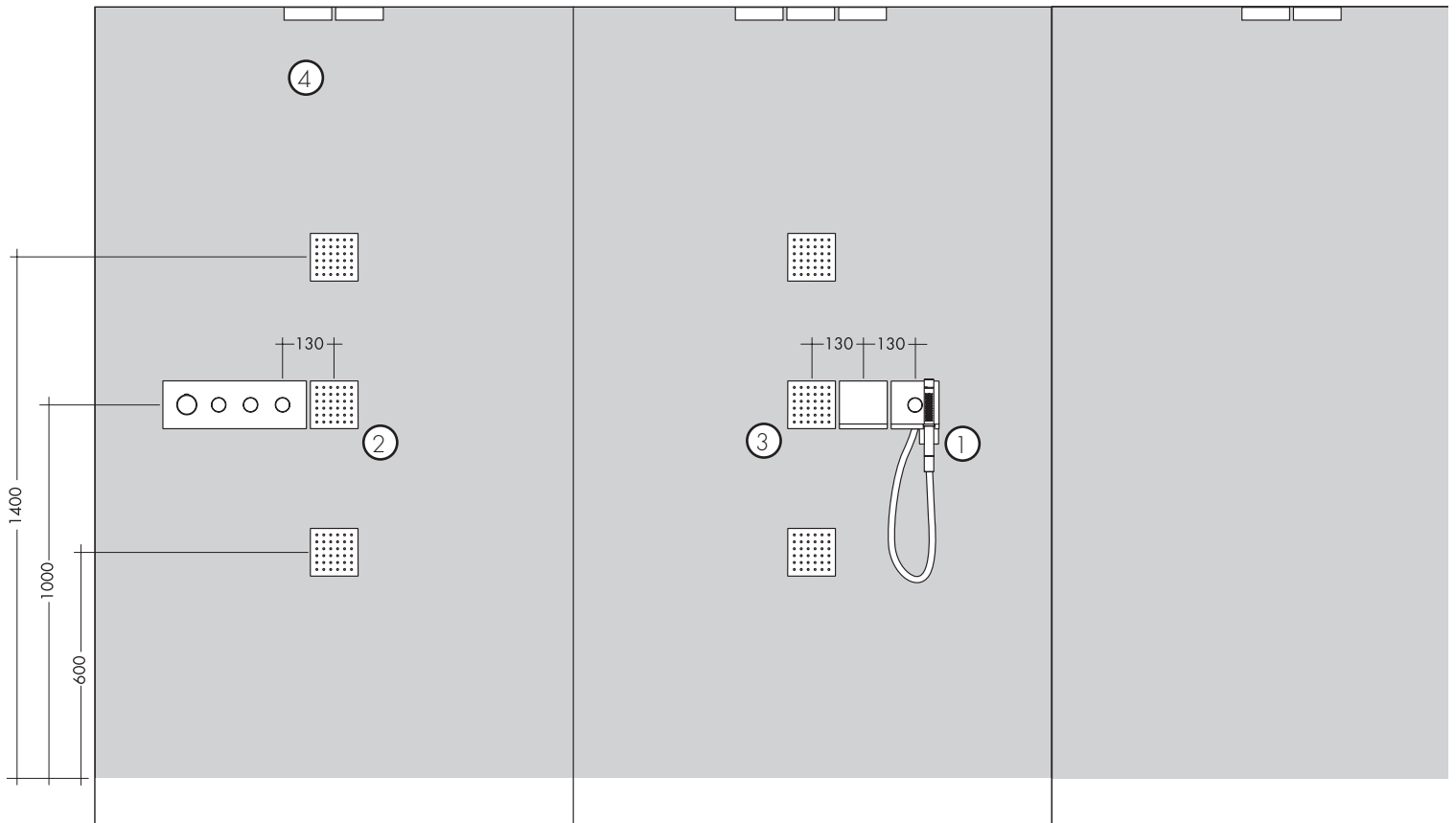
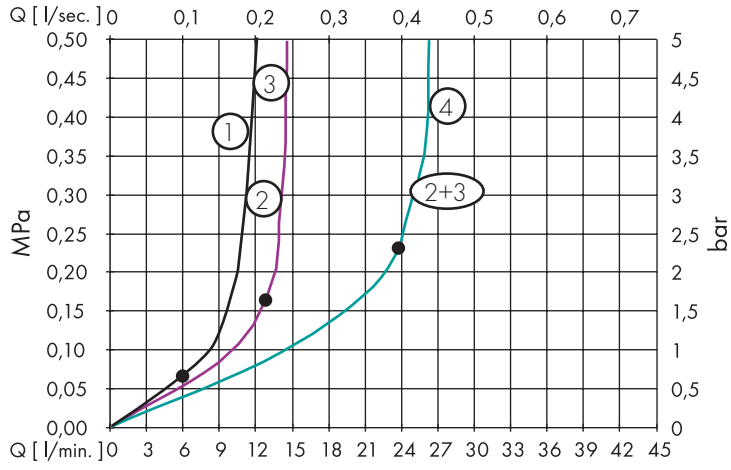
Showerheaven 970 x 970
10621807 / 10623807

Showerheaven 720 x 720
10625807 / 10627807





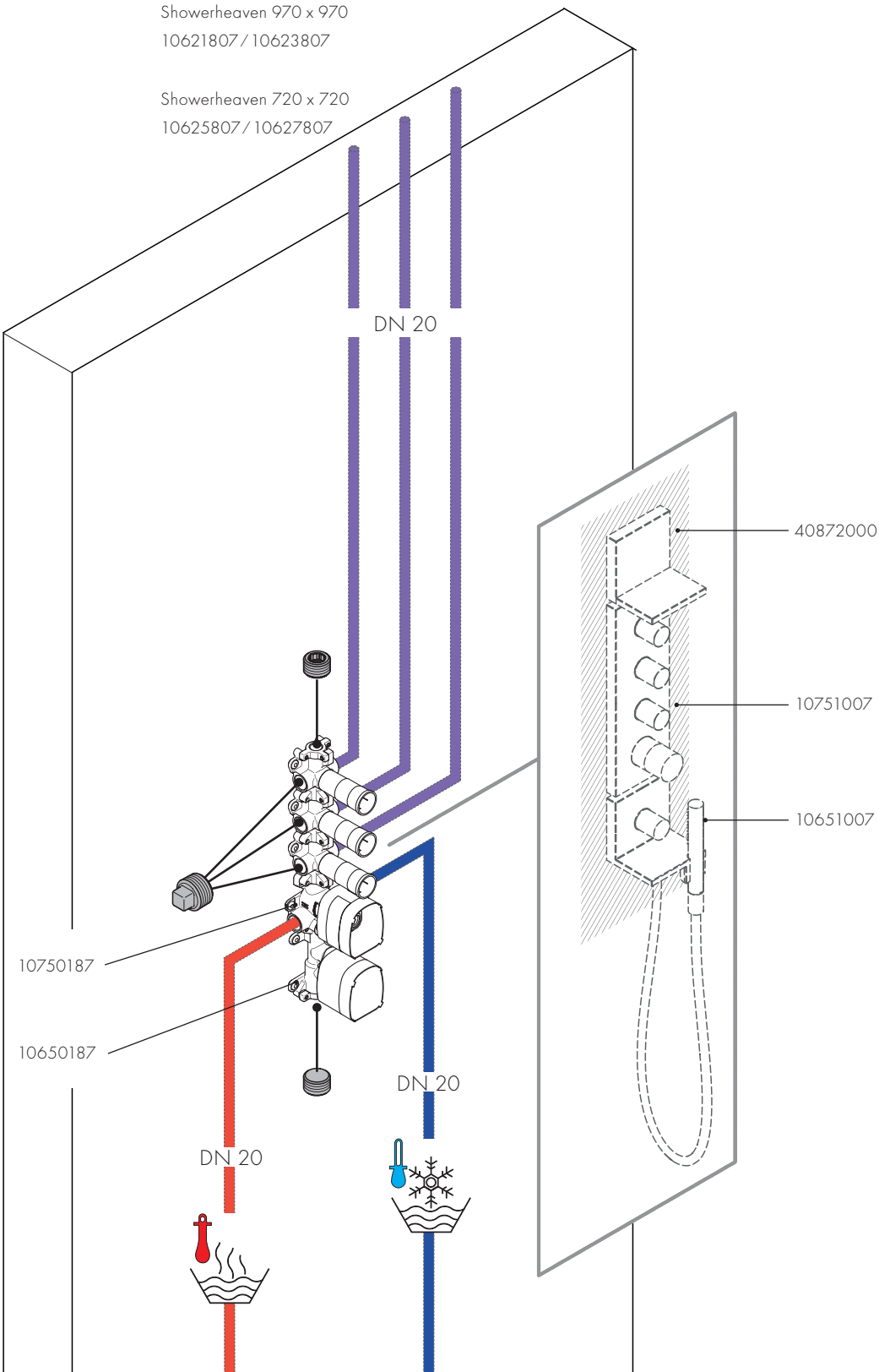


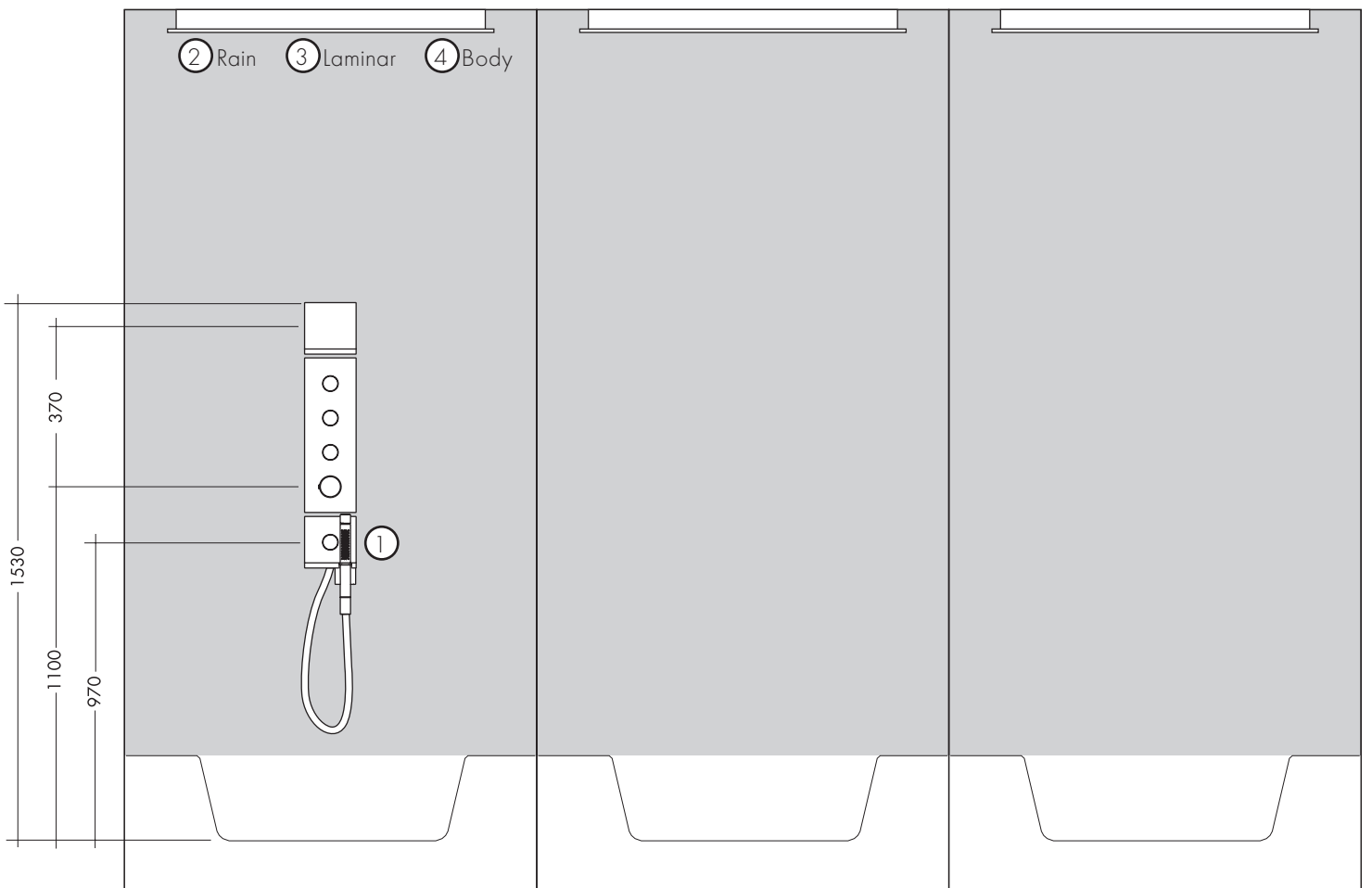
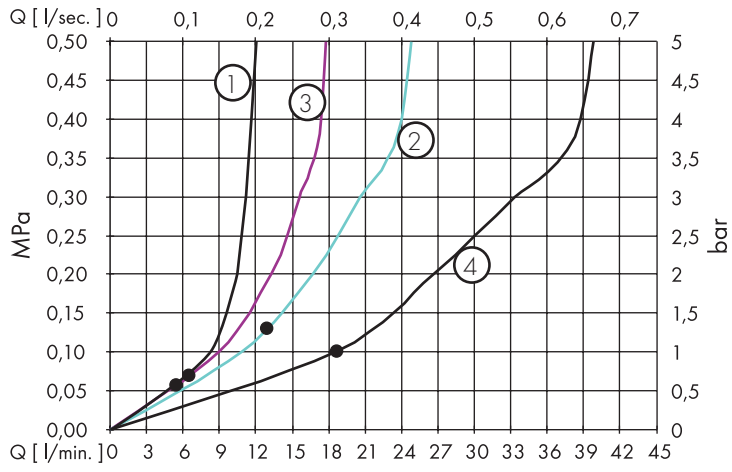


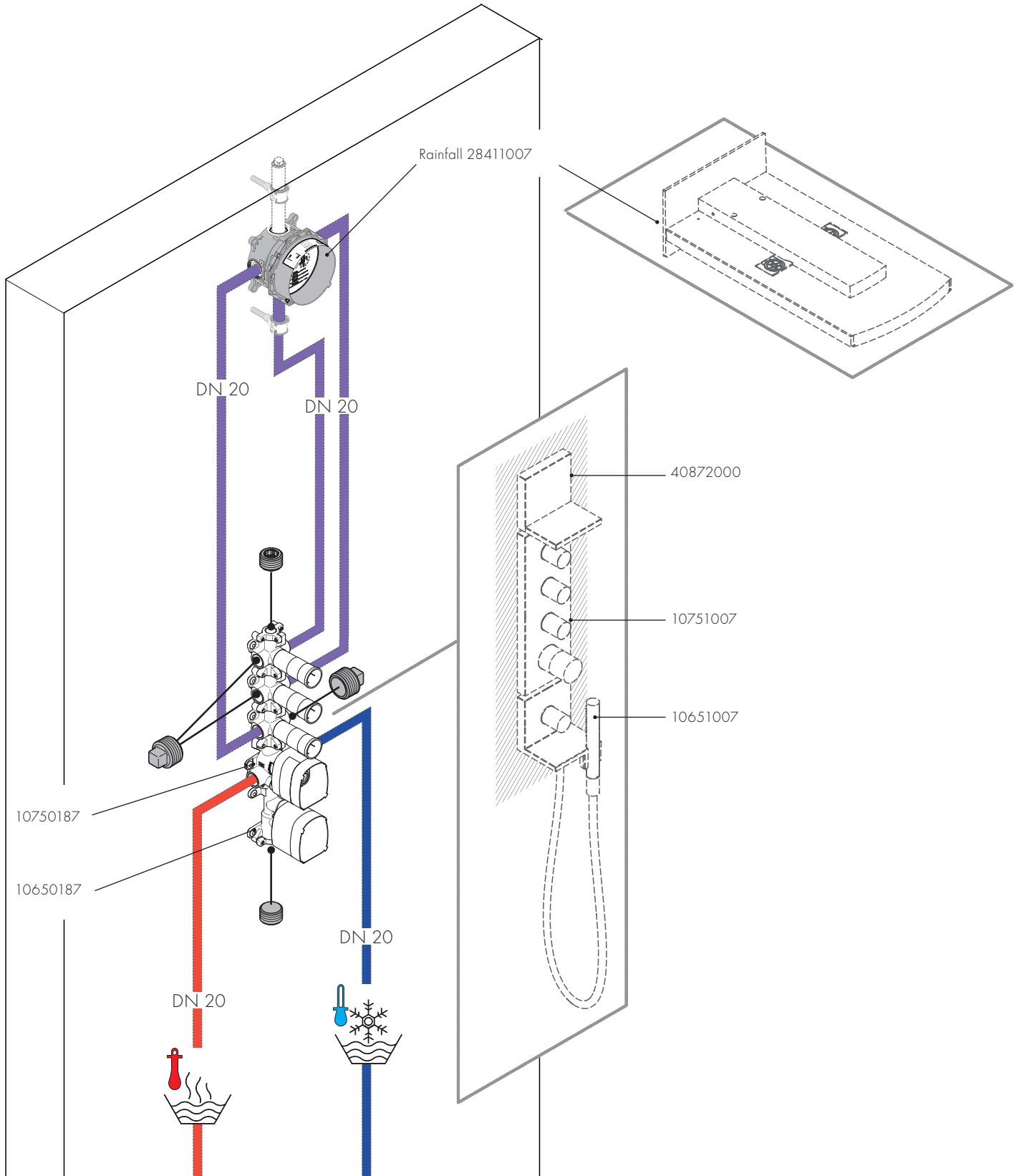


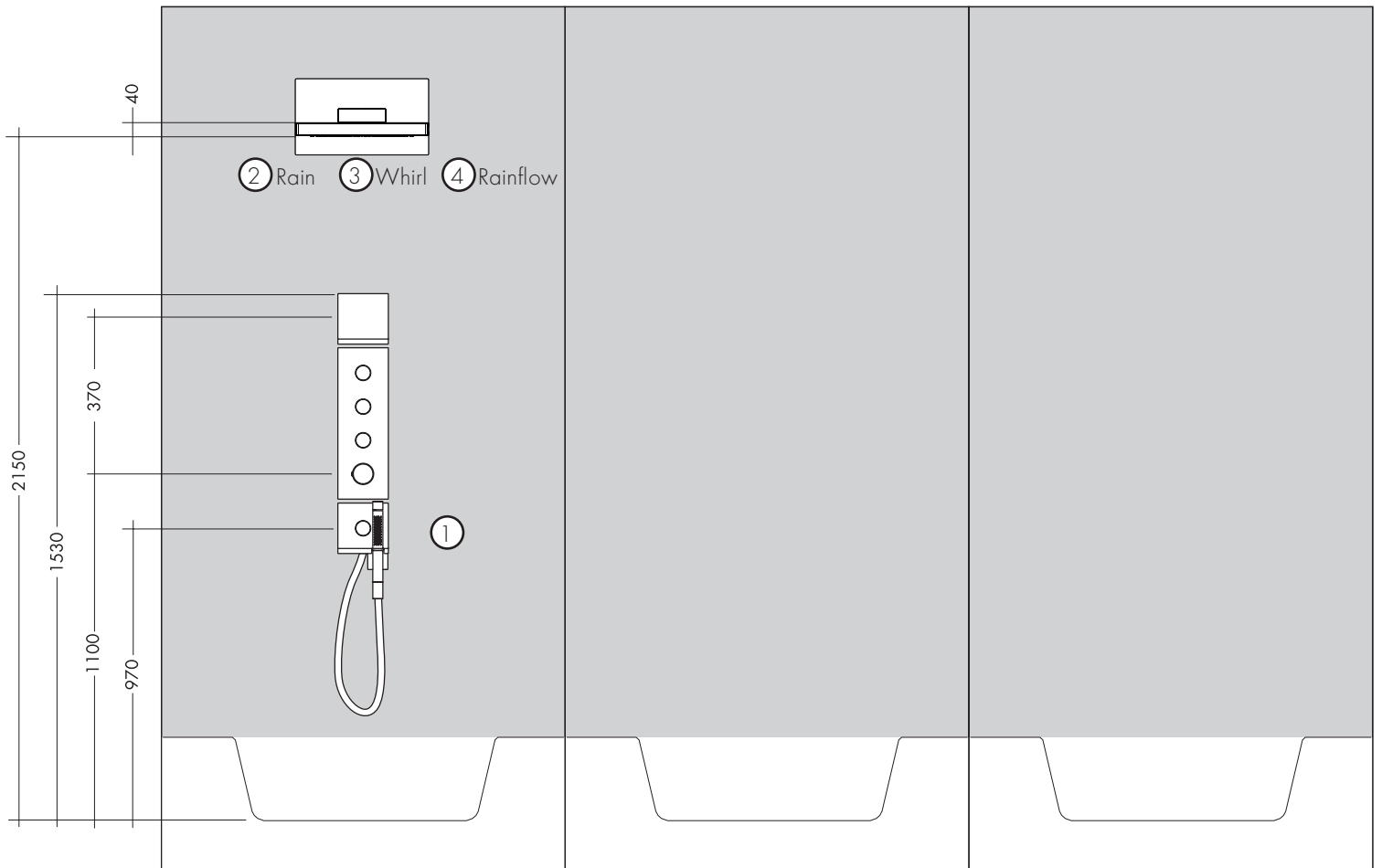
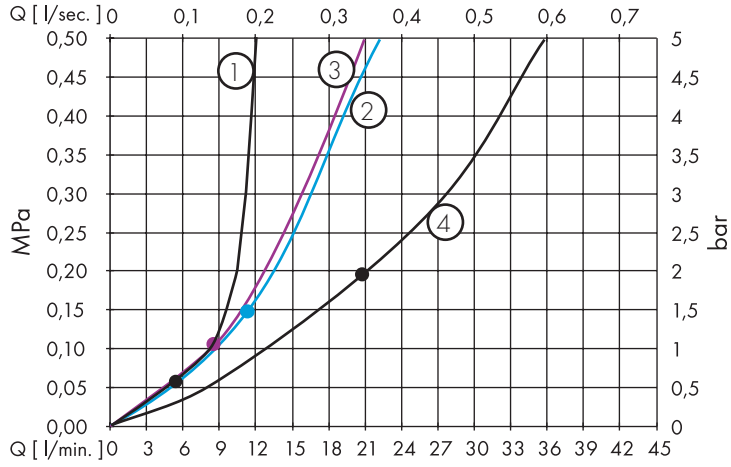
Showerheaven 970 x 970
10621807 / 10623807

Showerheaven 720 x 720
10625807 / 10627807





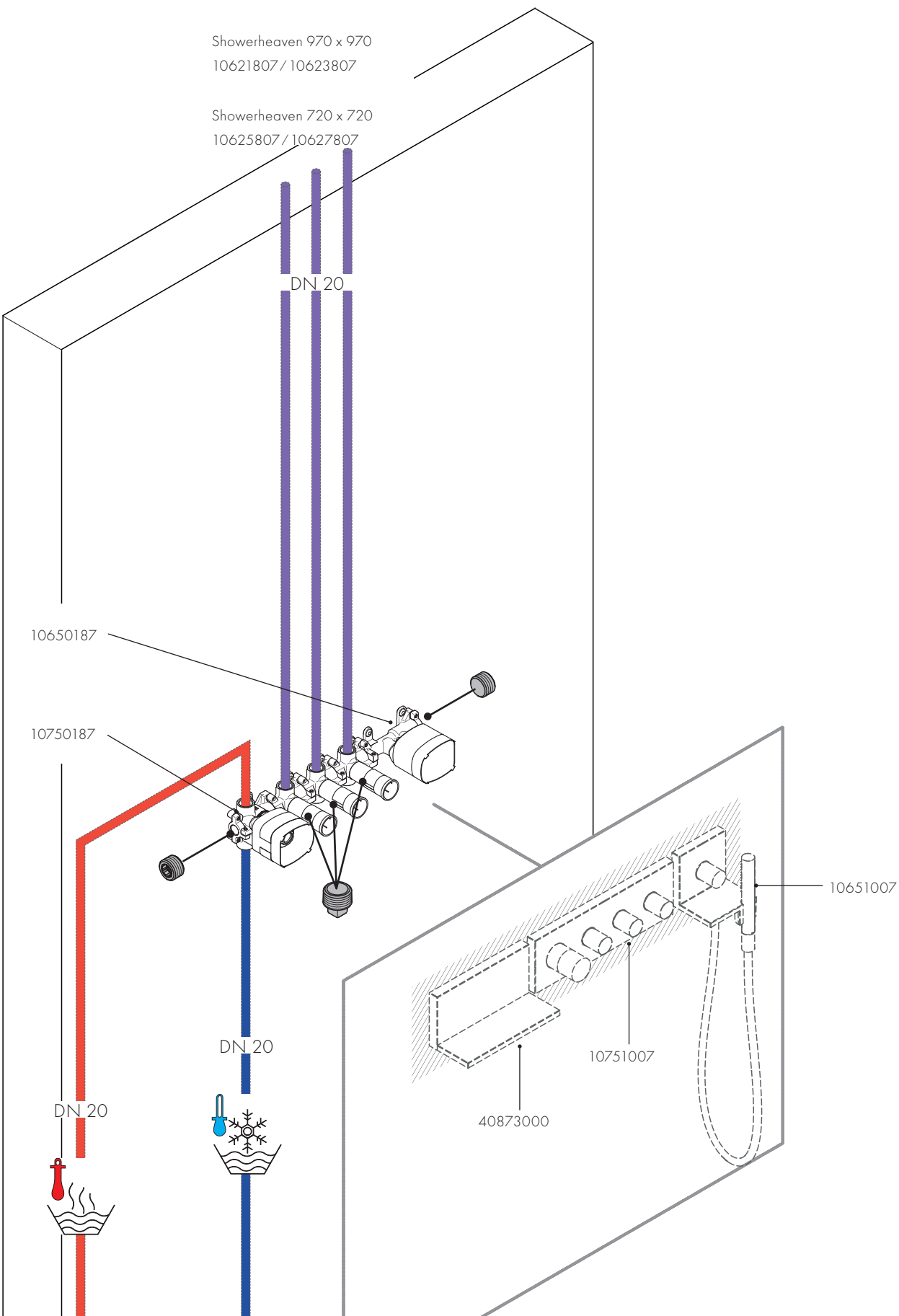


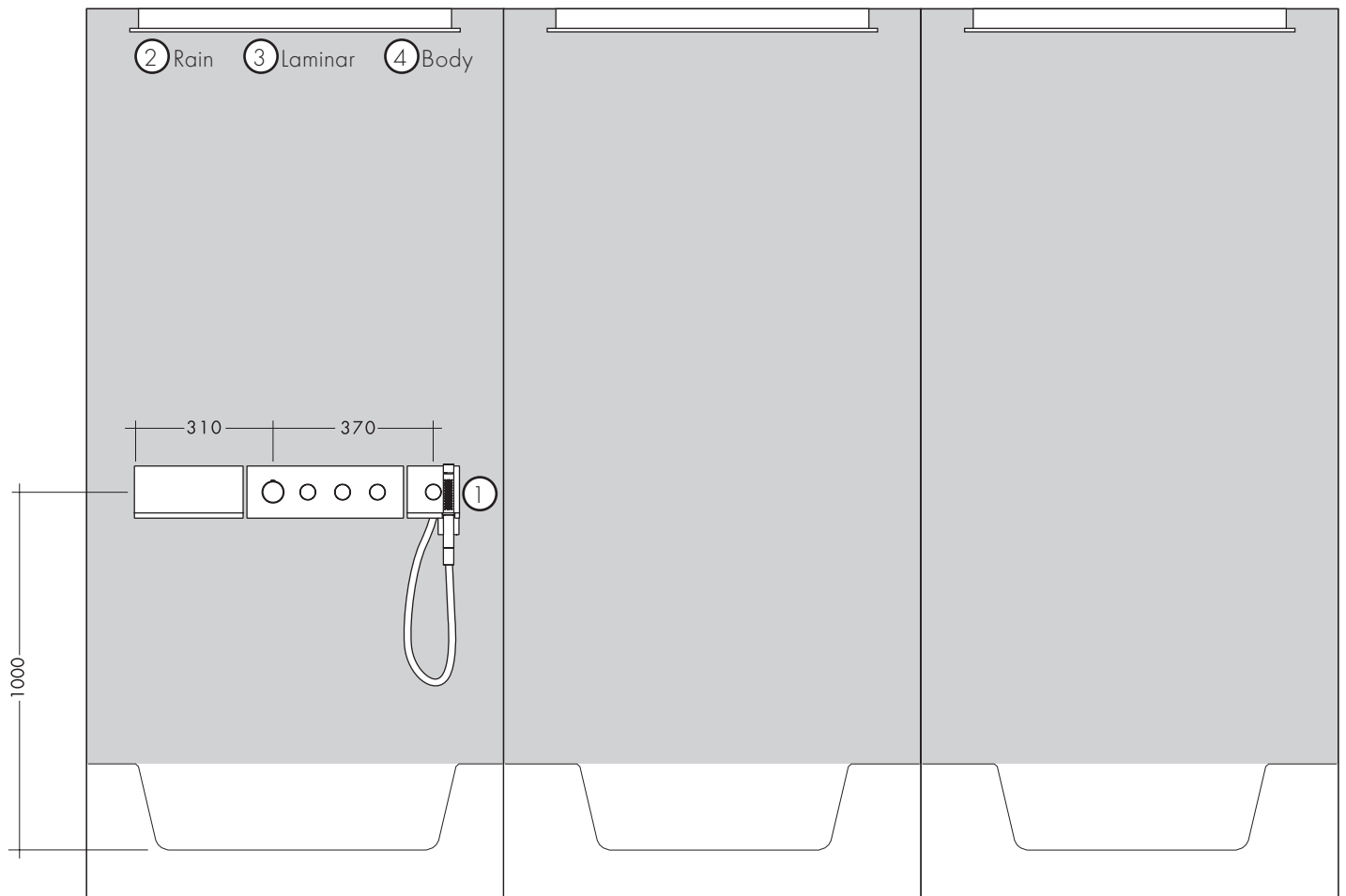
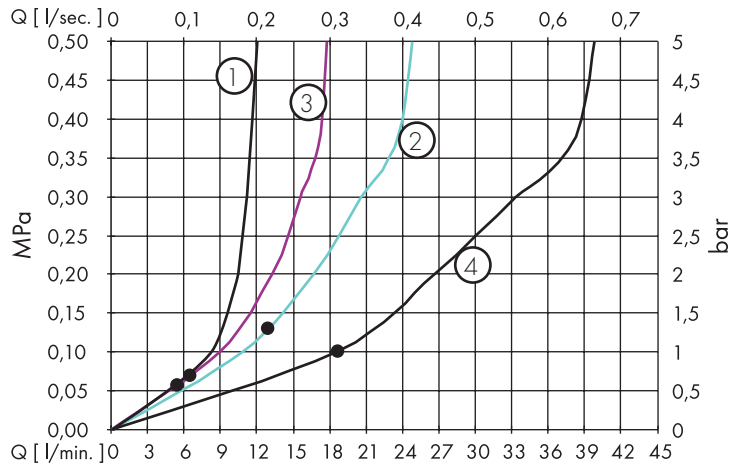


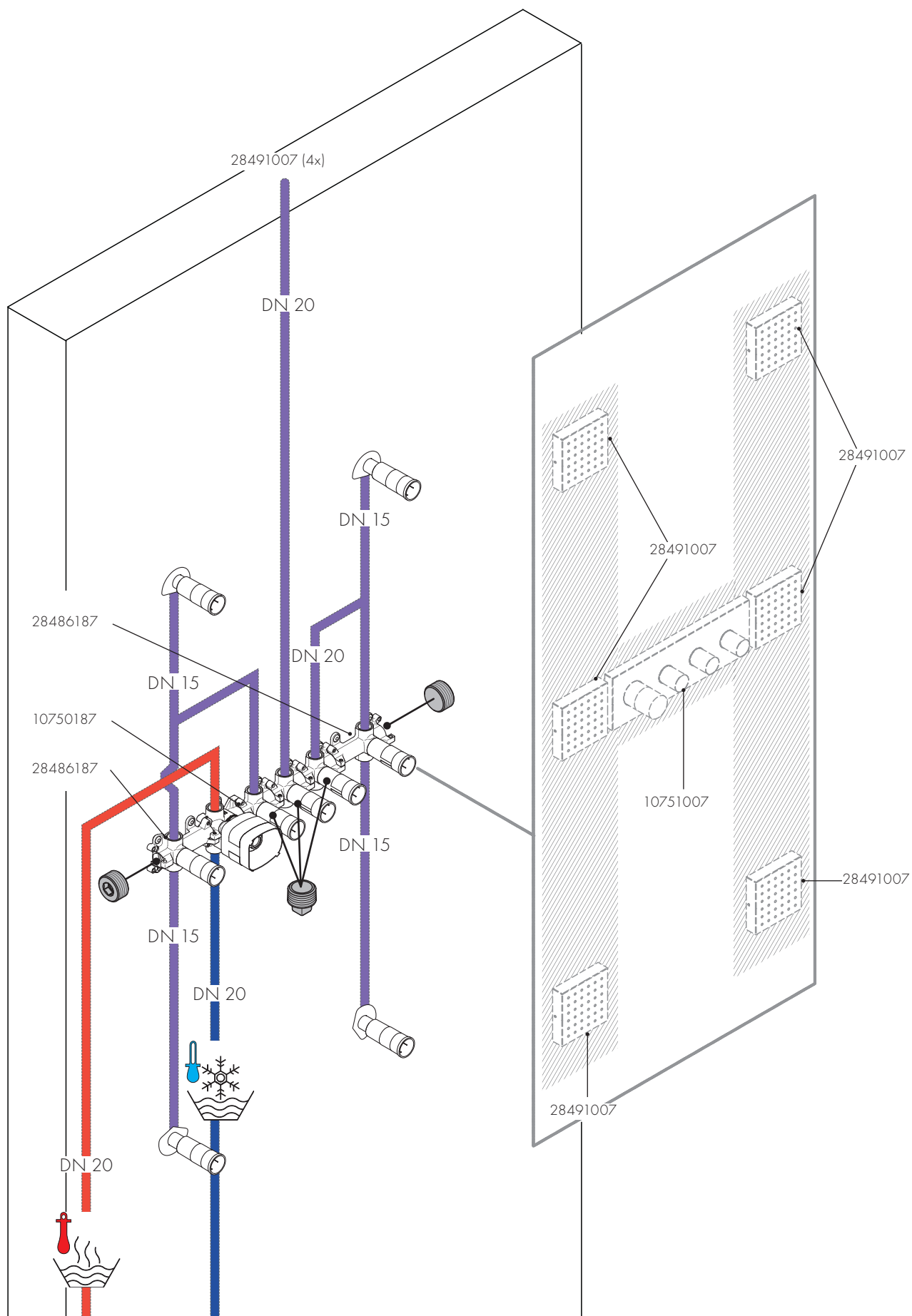


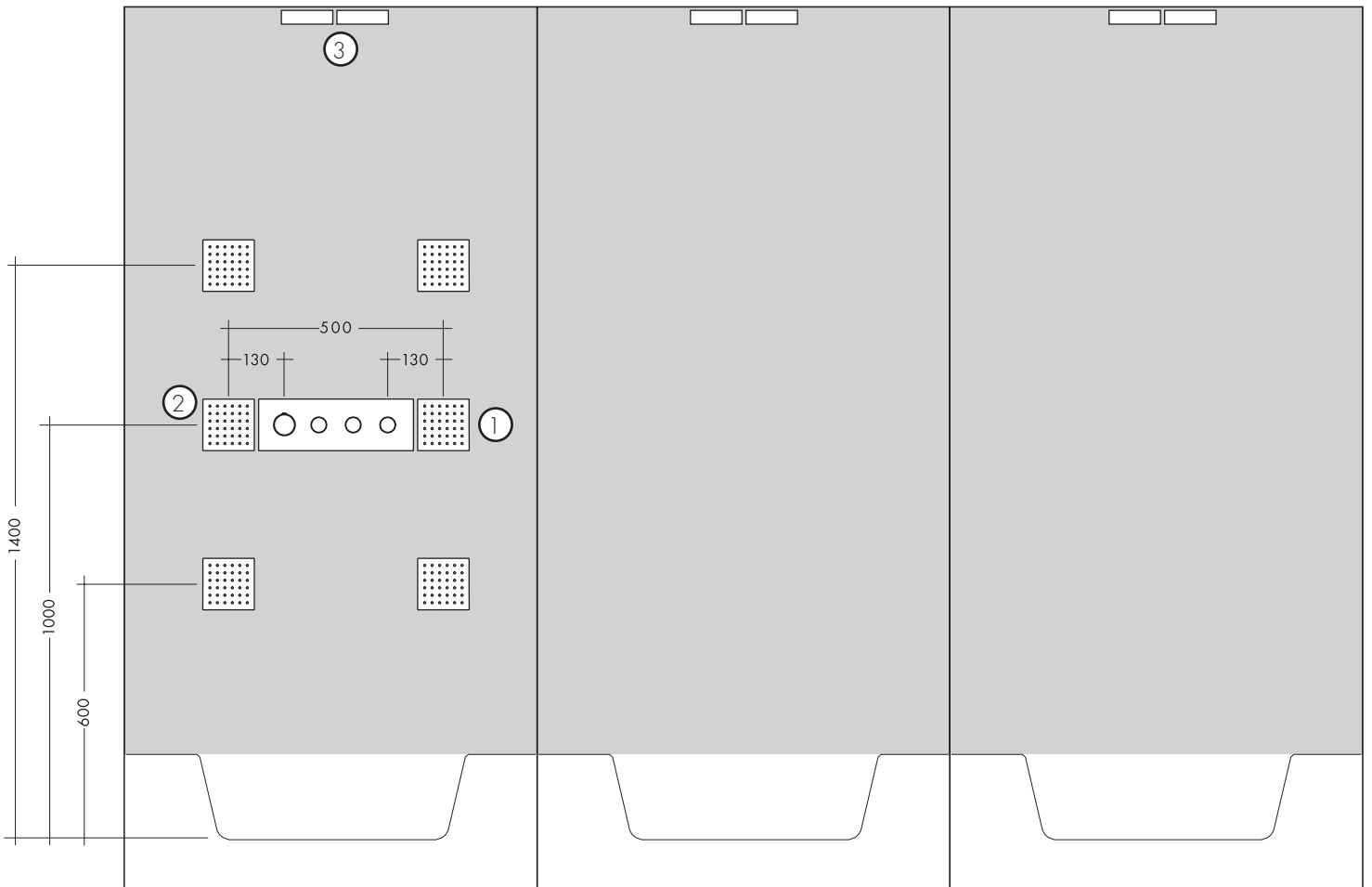
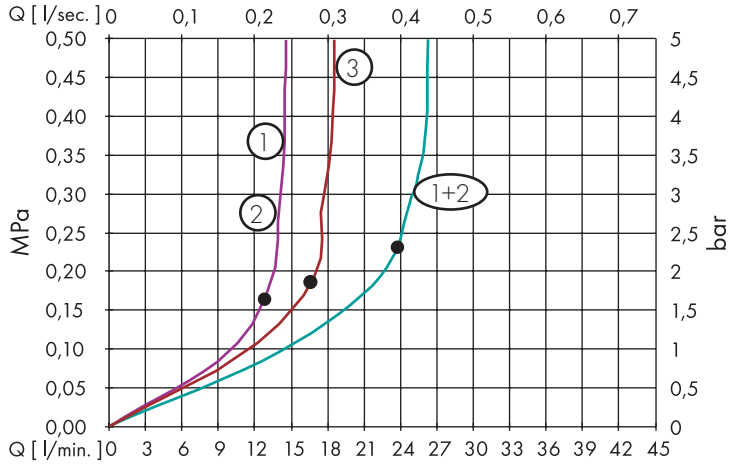
Showerheaven 970 x 970
10621807 / 10623807

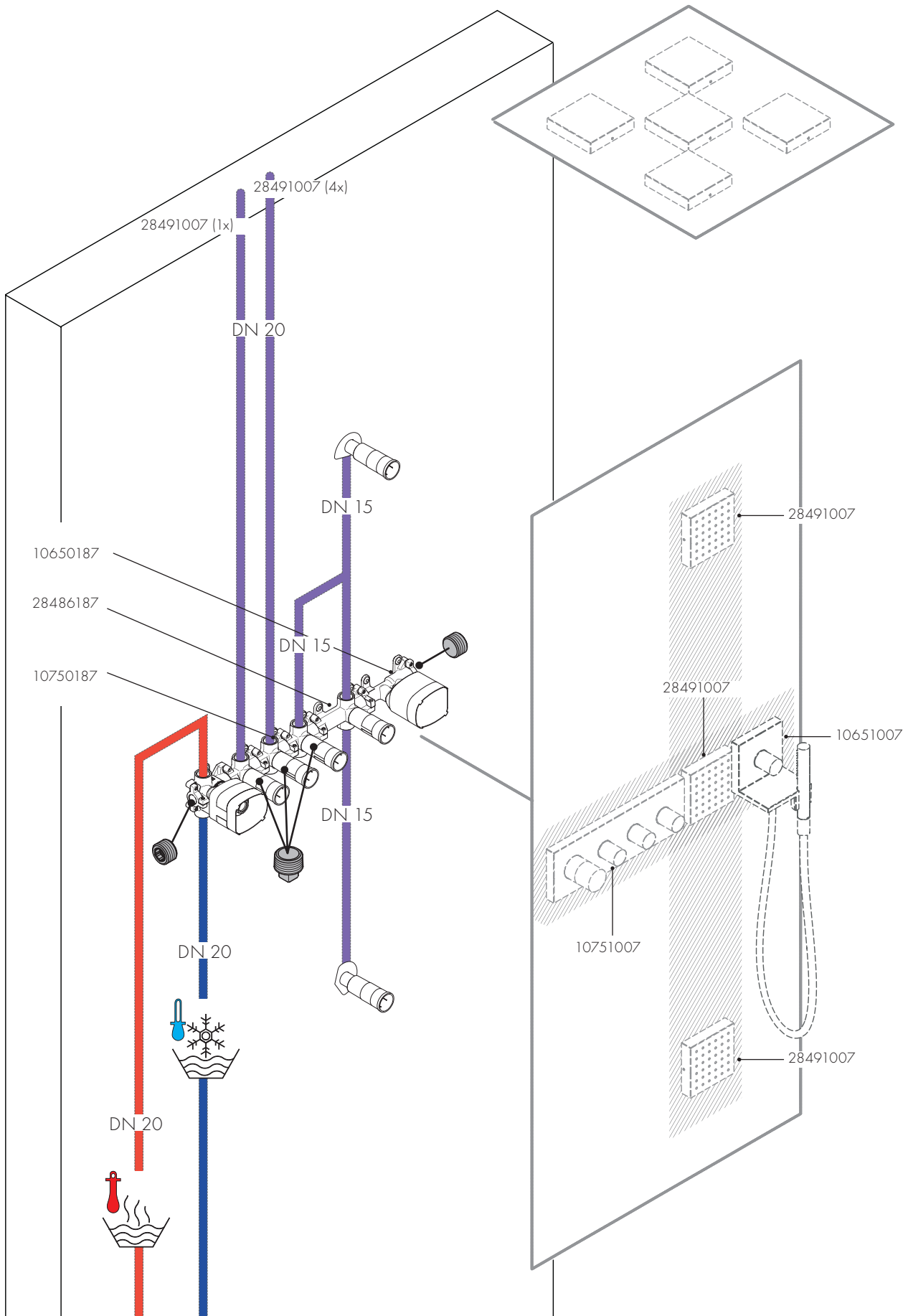
Showerheaven 720 x 720
10625807 / 10627807

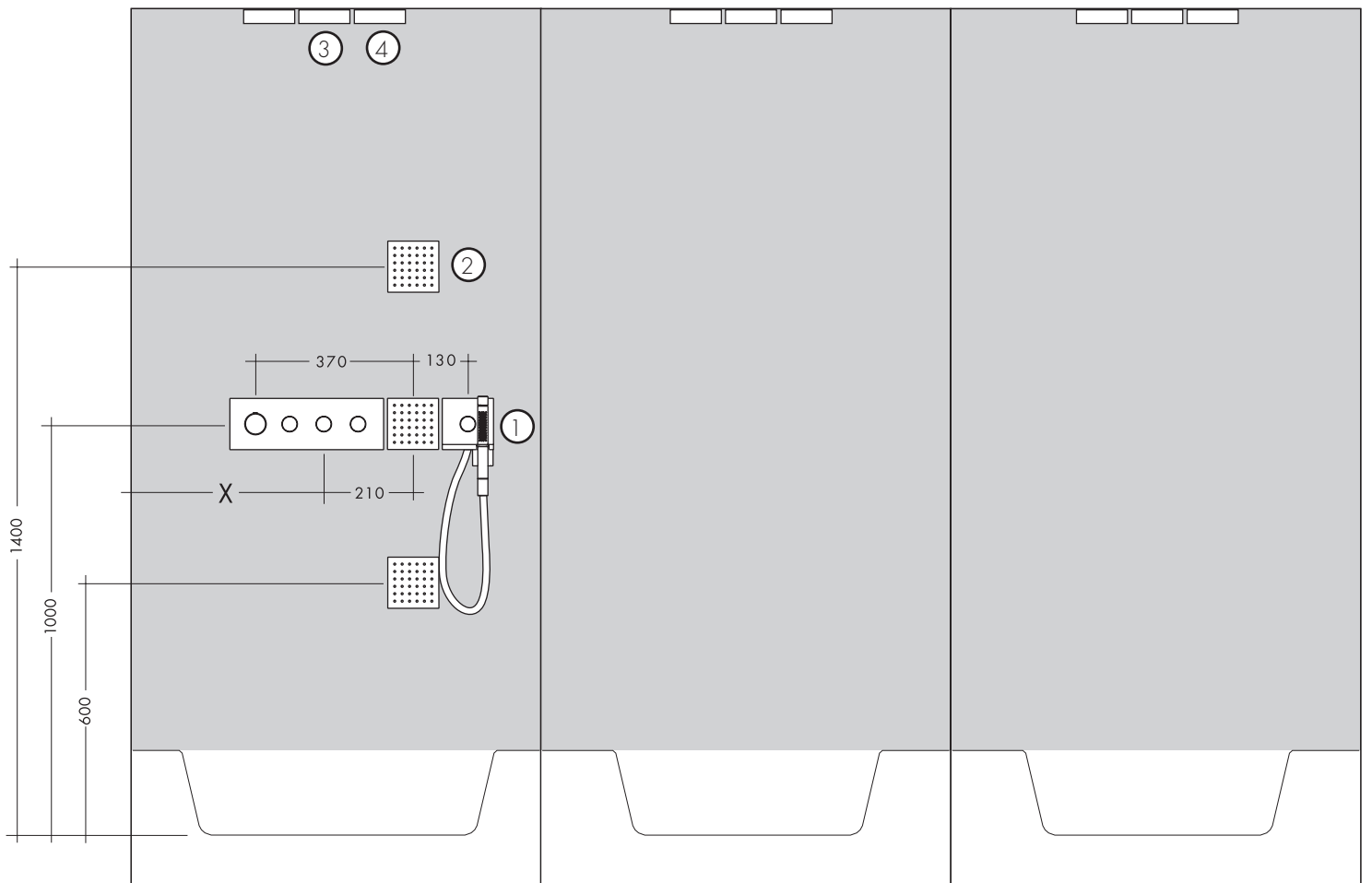
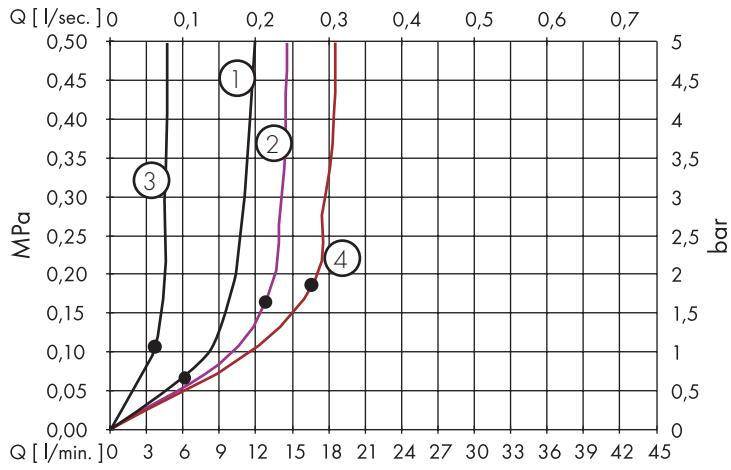


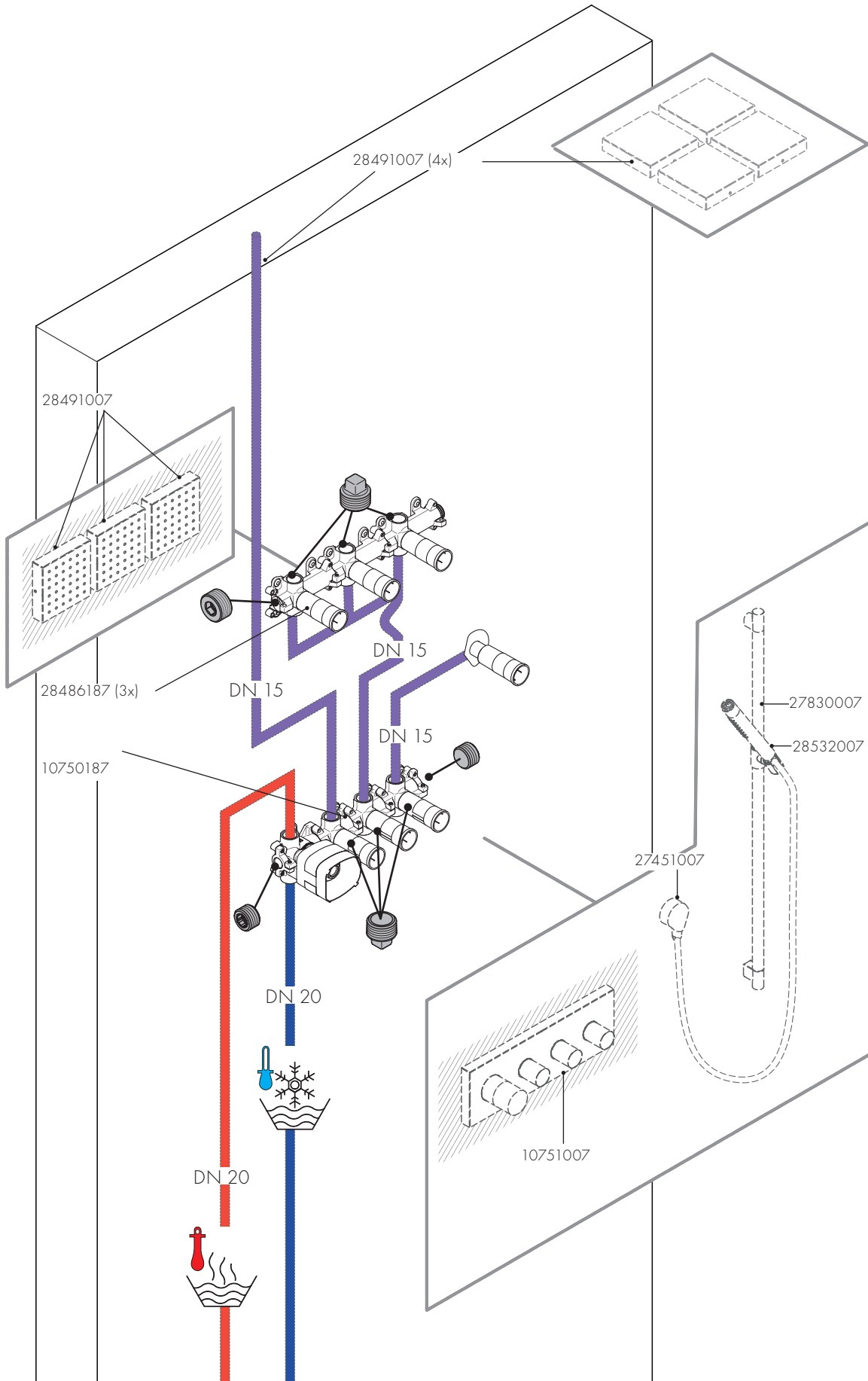


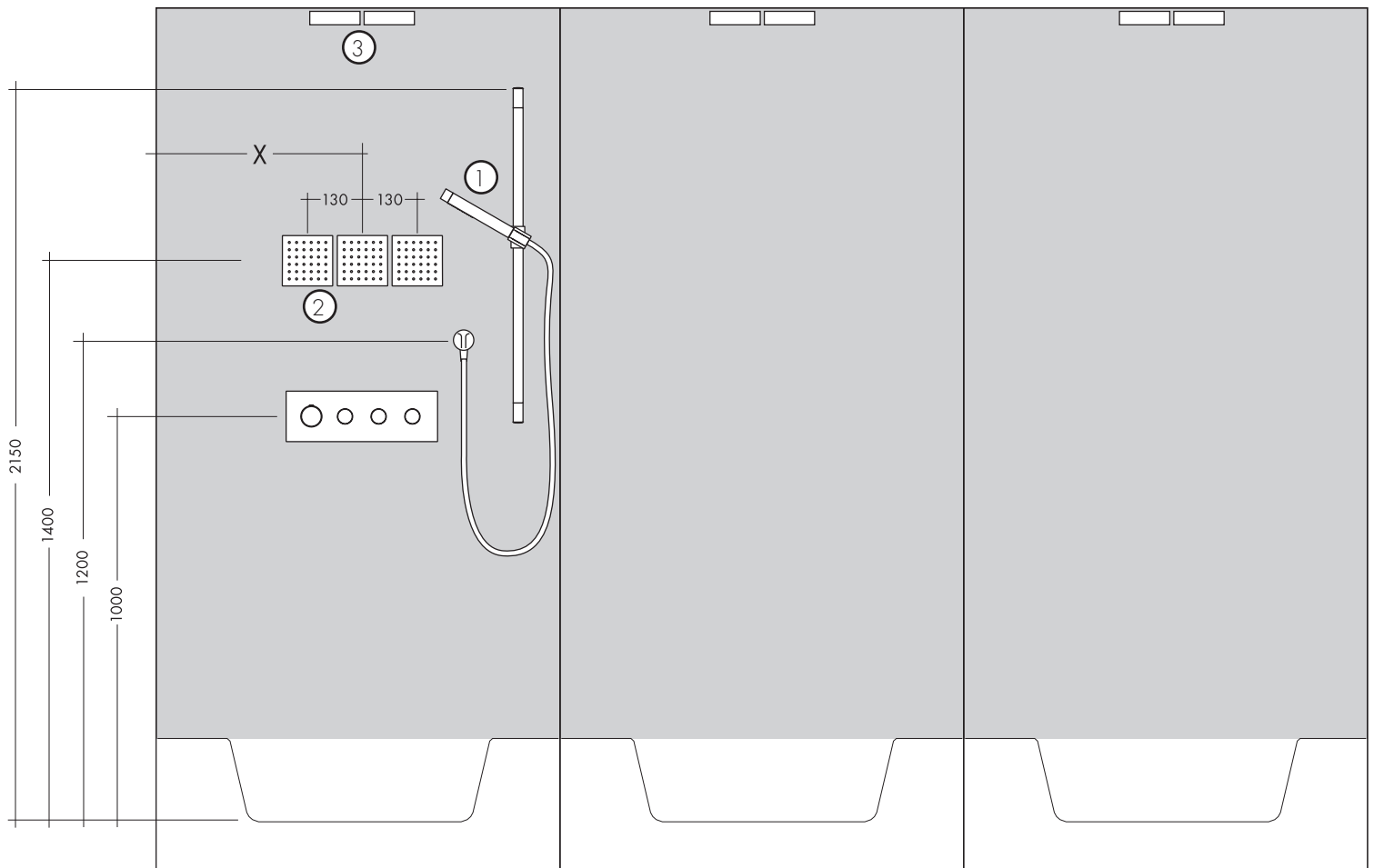
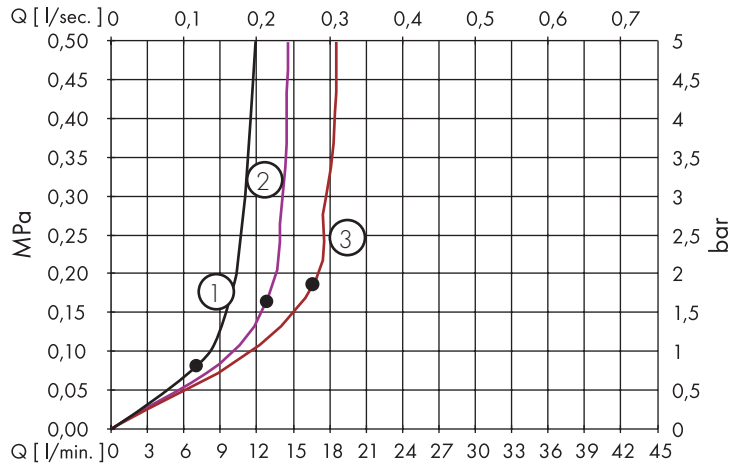


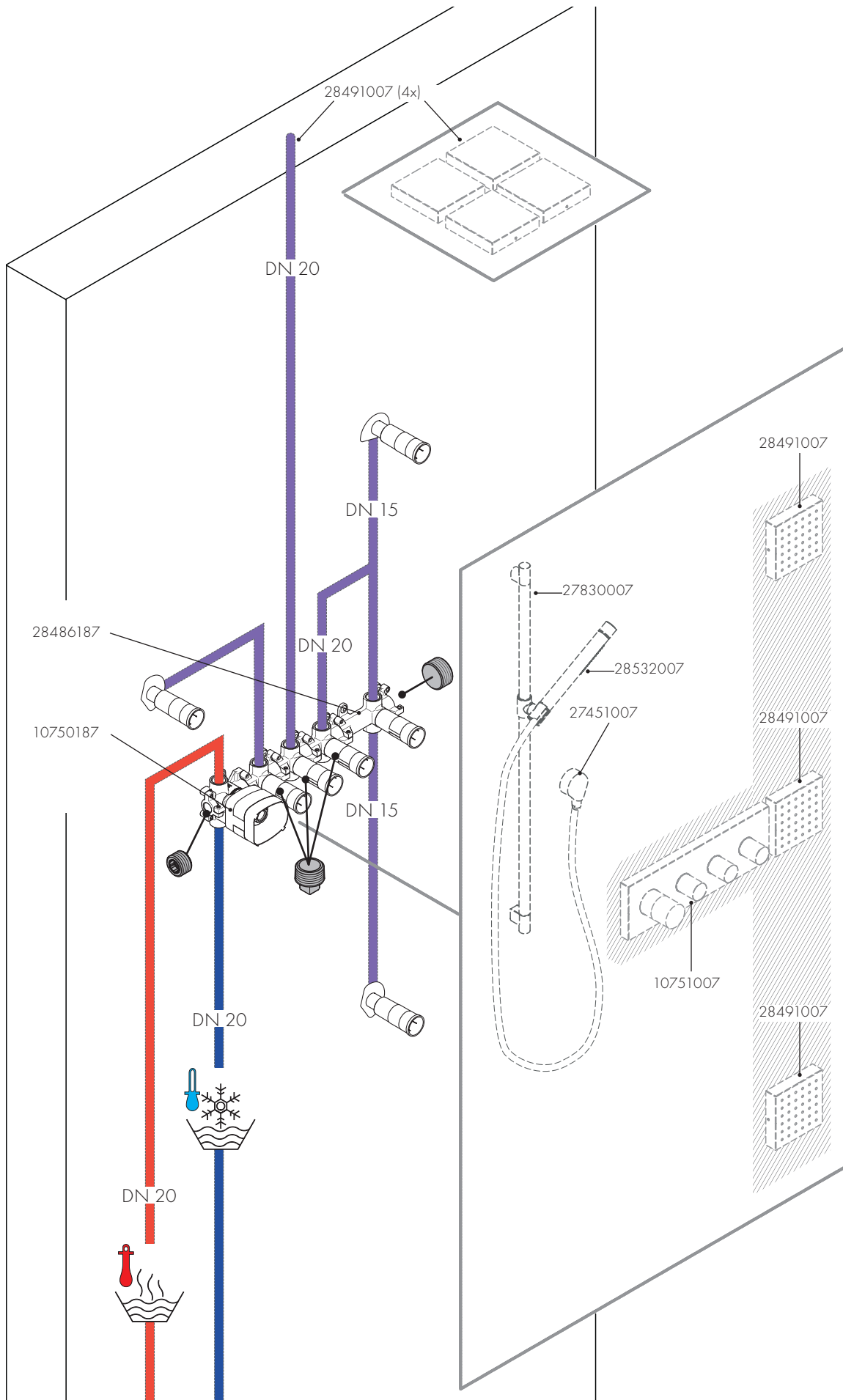


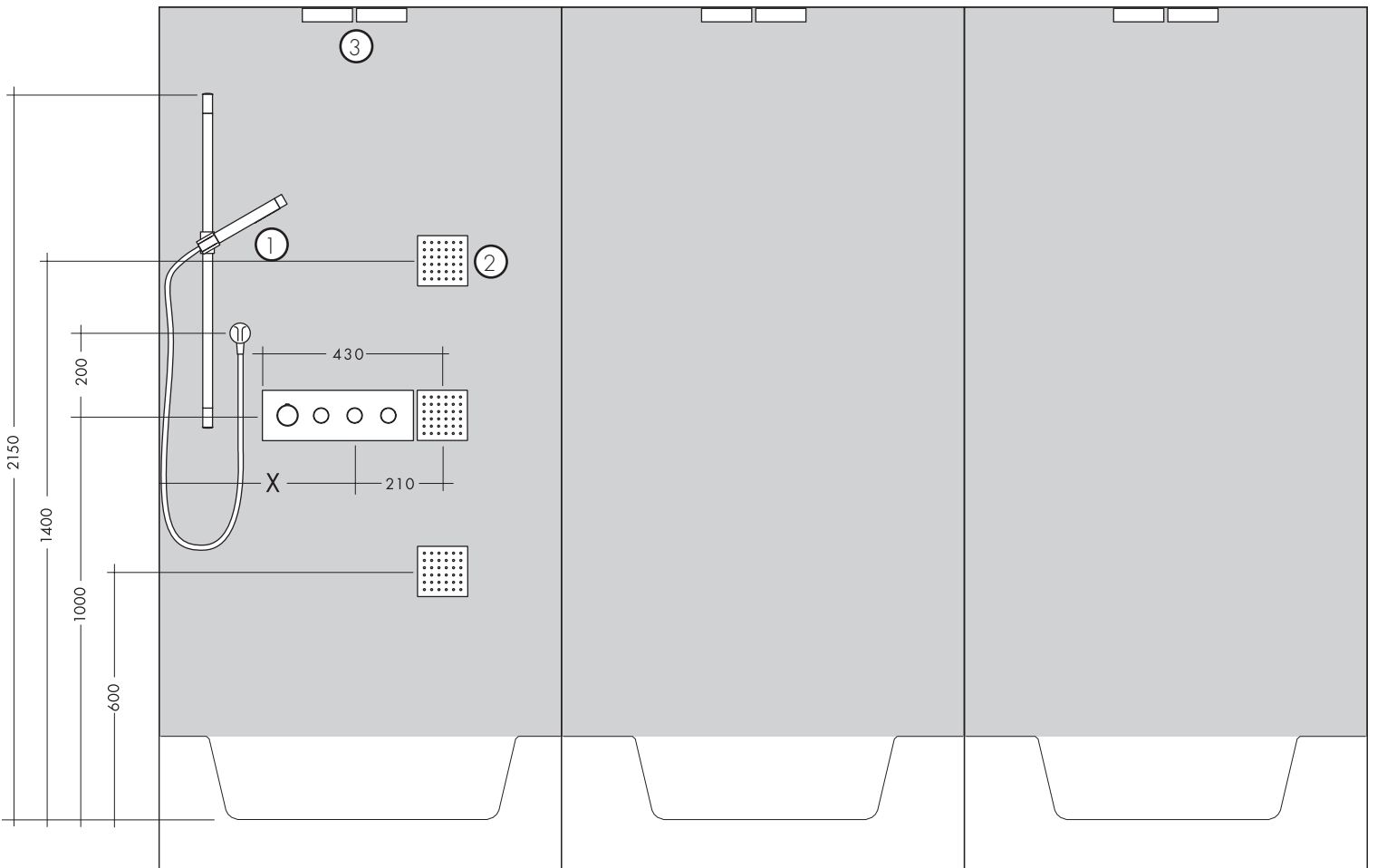
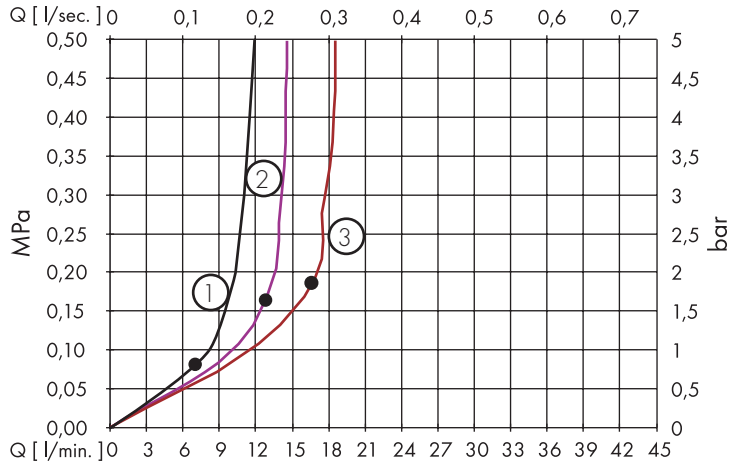


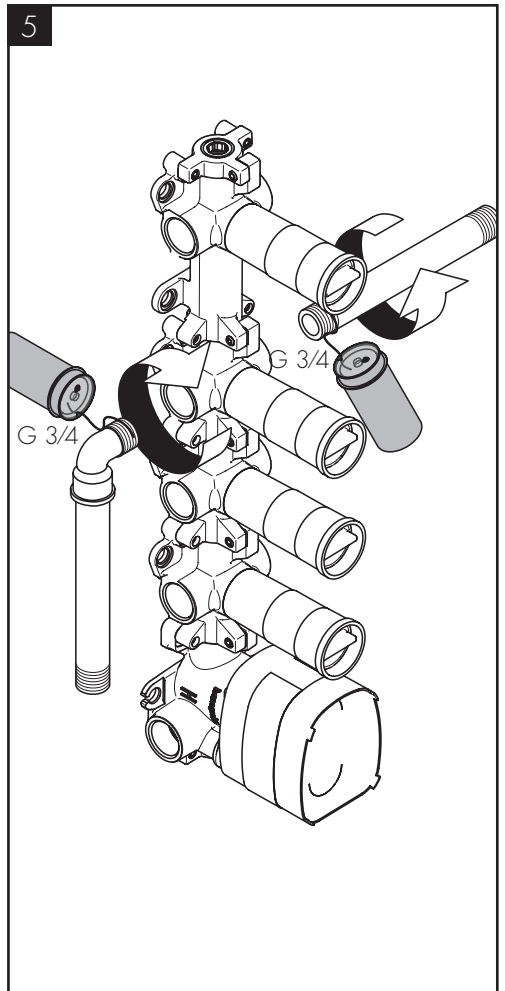
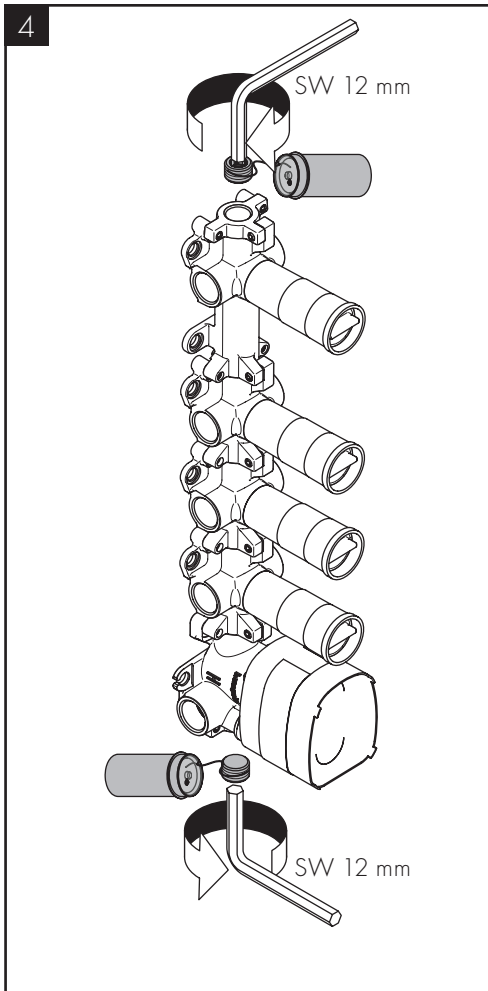
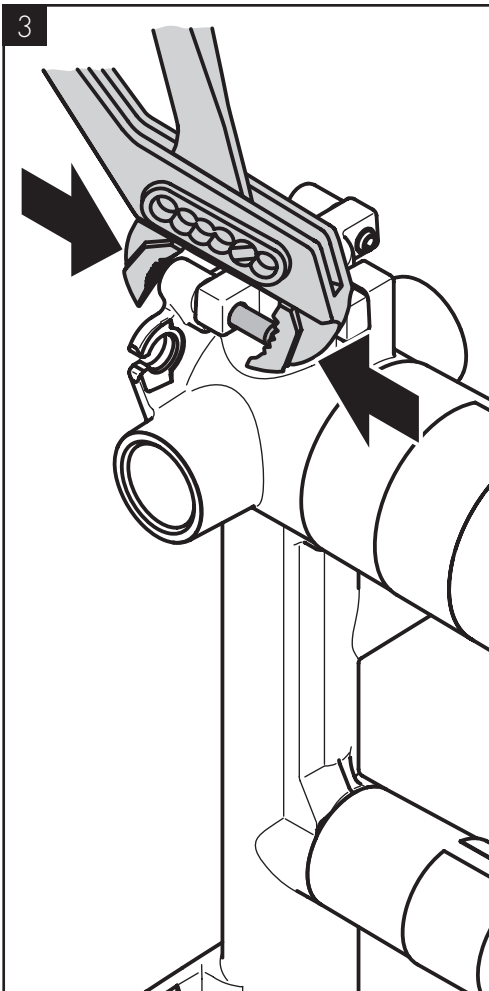
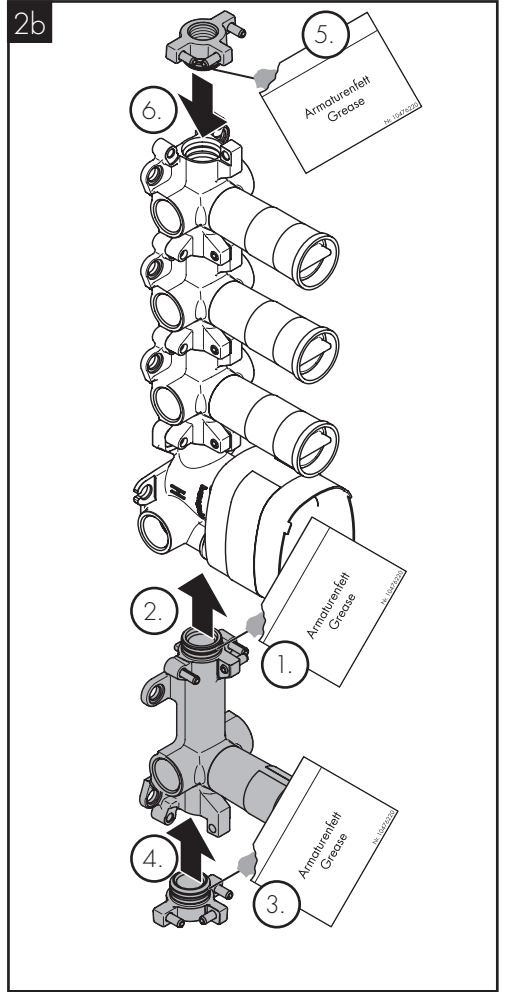
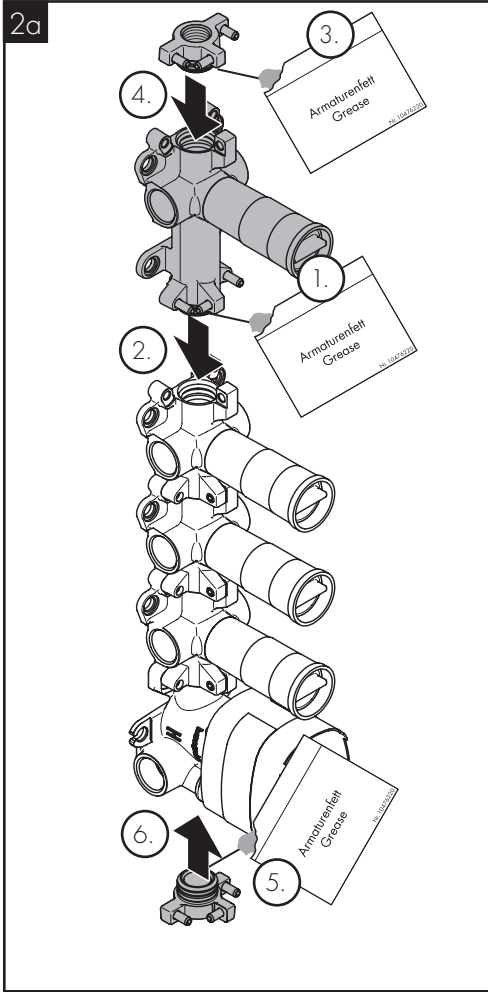
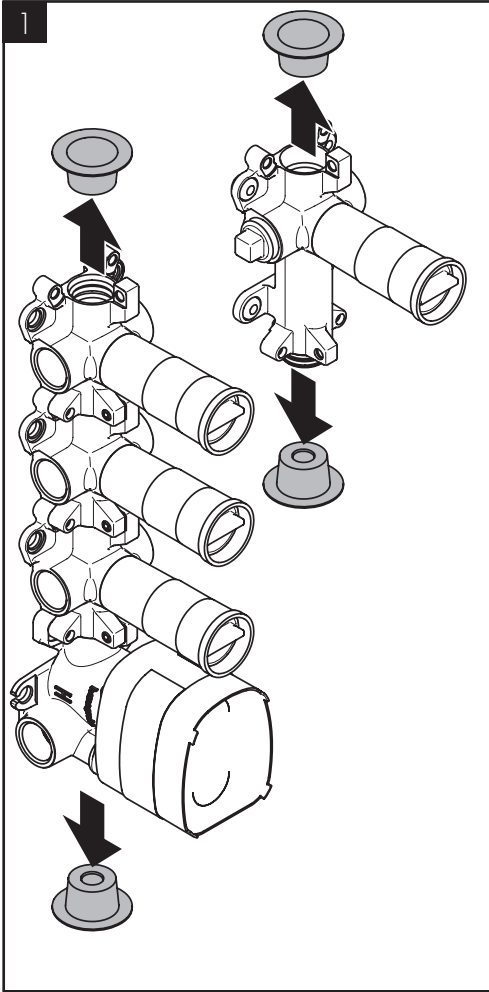


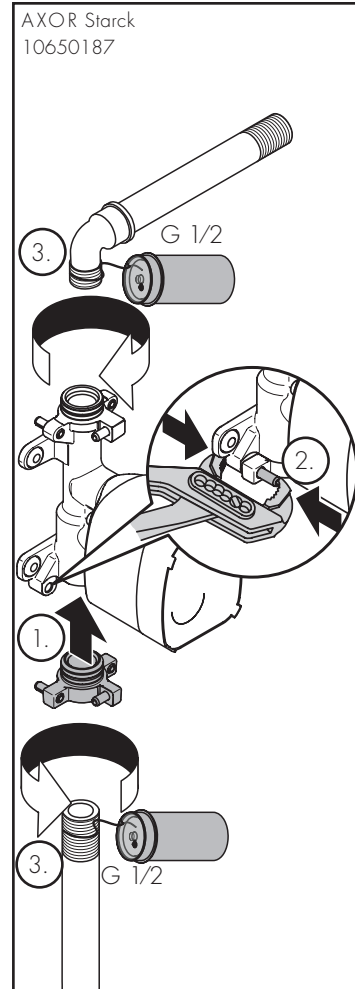
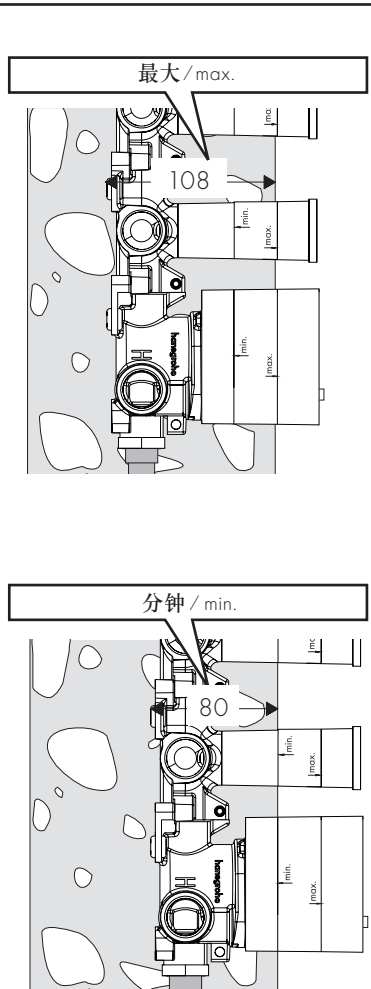
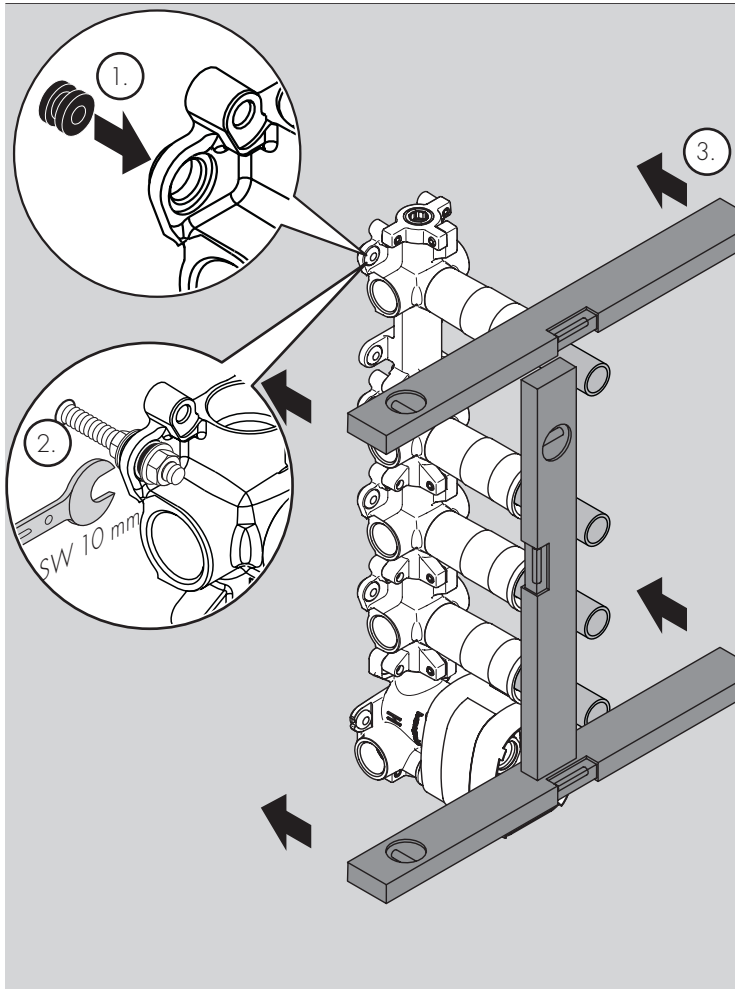
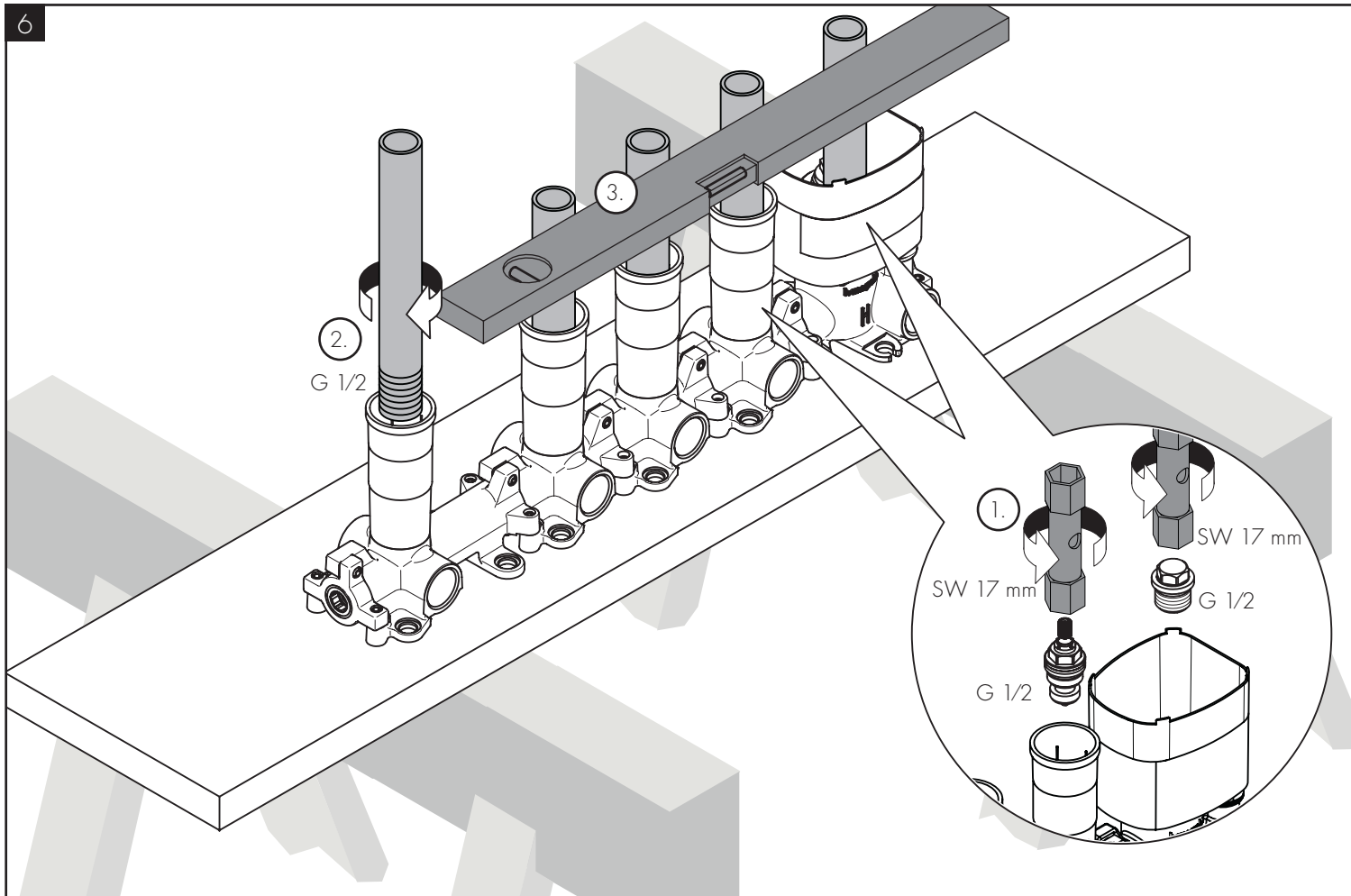








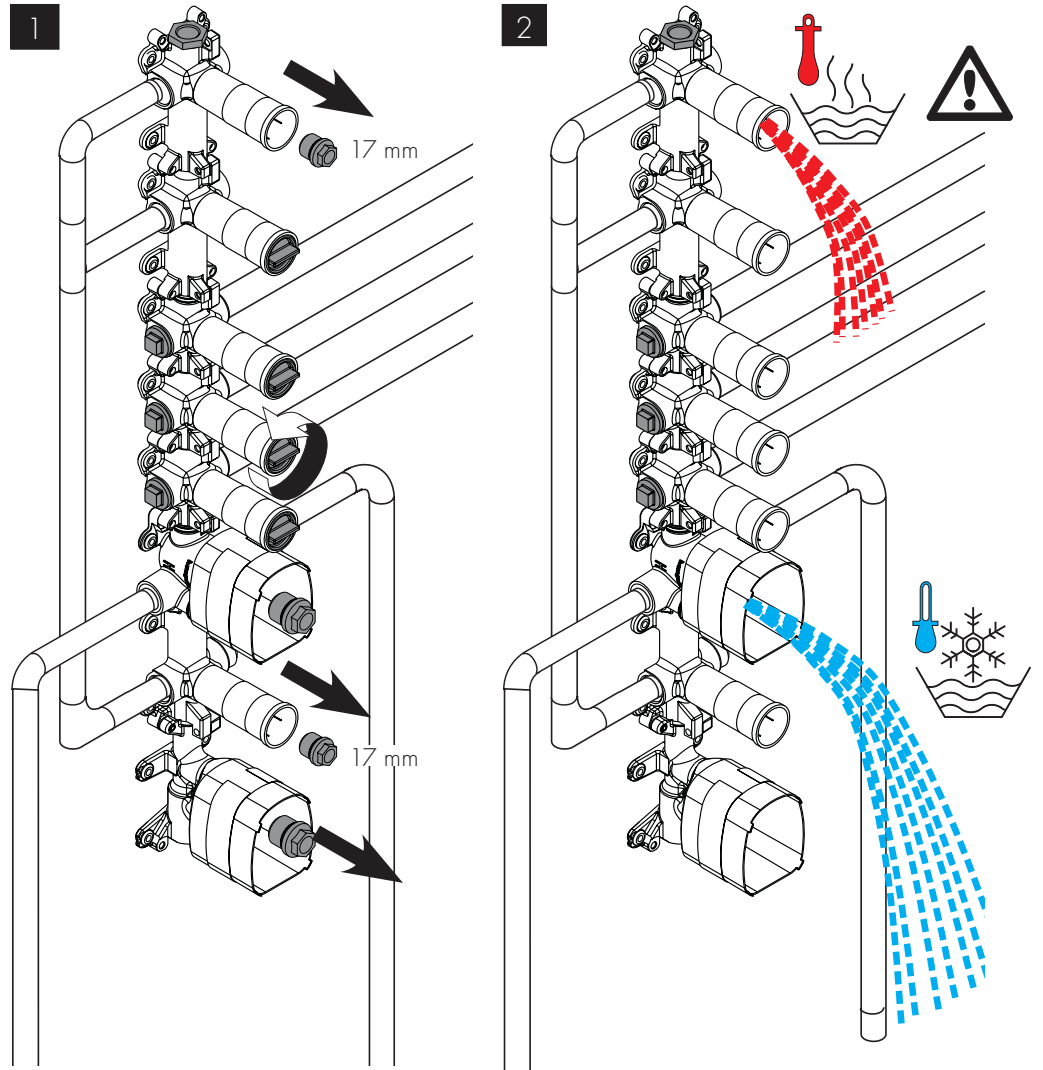






ZH / 冲洗管道。

EN / Flushing of the pipes.

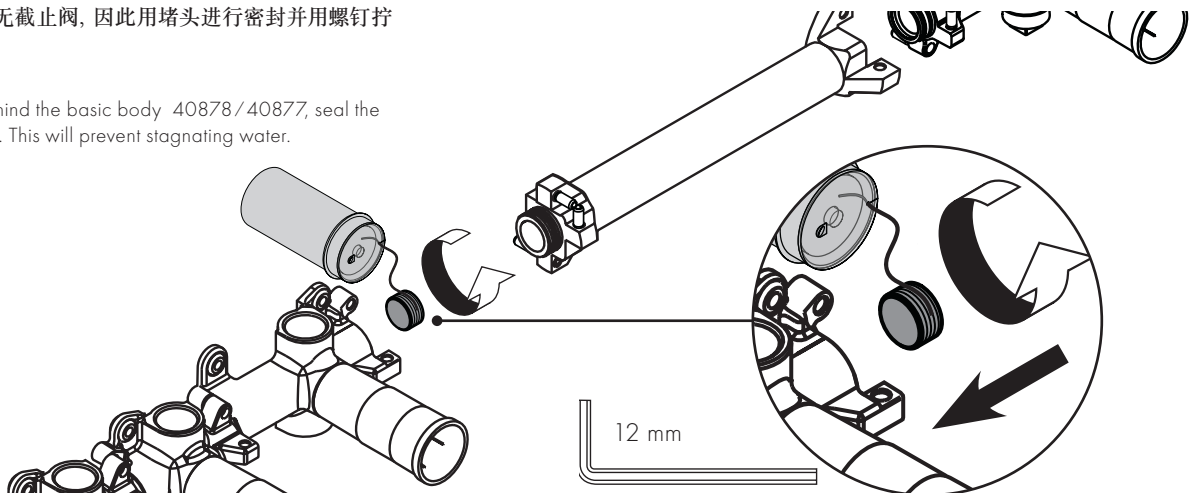


ZH / 拧固堵头

基体 40878 / 40877 之后无截止阀，因此用堵头进行密封并用螺钉拧固。以防停滞。

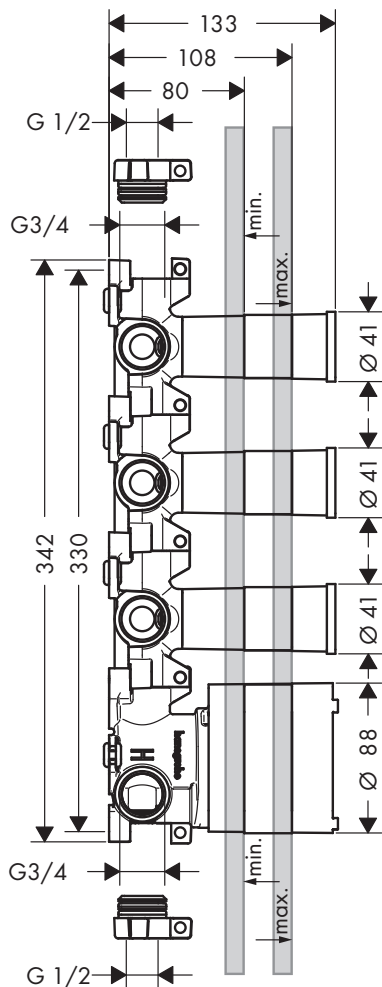
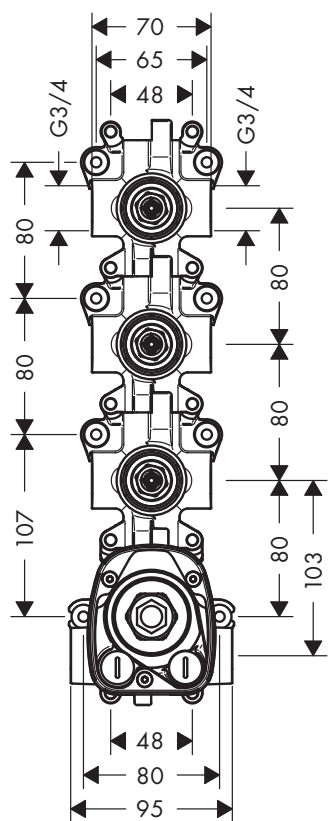
EN / Screw in the plug

If there is no shutoff valve behind the basic body 40878 / 40877, seal the included plug and screw it in. This will prevent stagnating water.

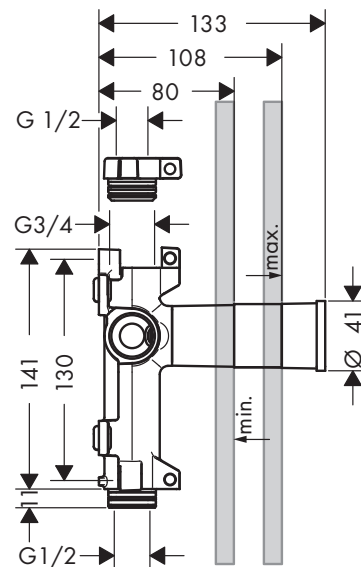
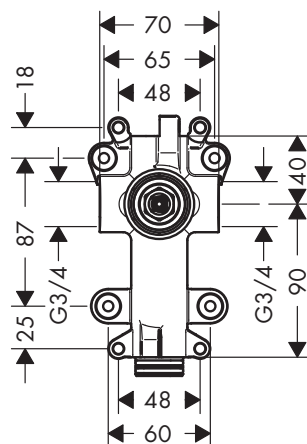




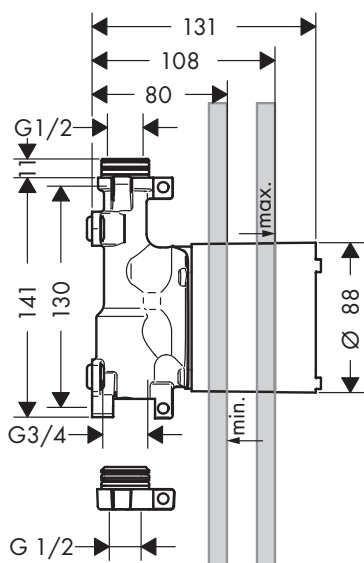
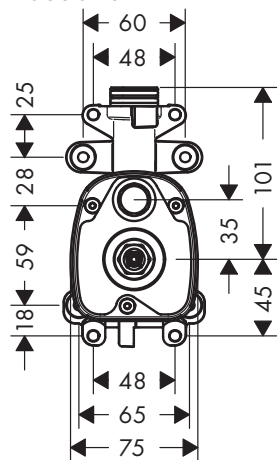
AXOR ShowerCollection
10750187



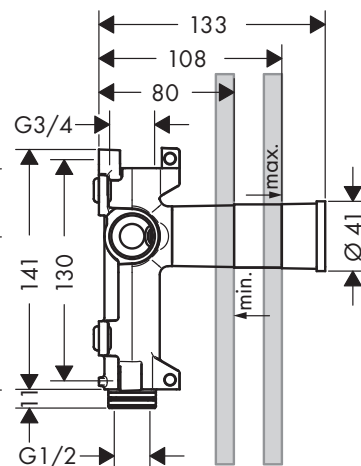
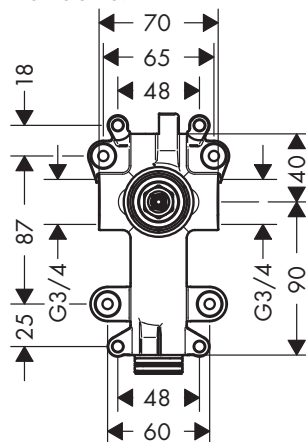
AXOR ShowerCollection
10971187



AXOR ShowerCollection
10650187



AXOR ShowerCollection
28486187





ZH

1 将已经安装并经过检验的基体抹灰，或者在安装前壁时用壁覆面系统将其包覆。已抹灰的壁表面干燥后，使用硅胶（不含醋酸）对壁与塑料外壳之间的接缝点进行喷塑。

2 遵照制造商的说明，在边壁上使用PCI胶黏层或类似的密封材料。

3 锯开密封涨圈。
指示说明！密封涨圈不可重叠。将密封圈套到塑料外壳上并压到胶水和硅胶中。

4 注意！不能热粘贴密封涂层。

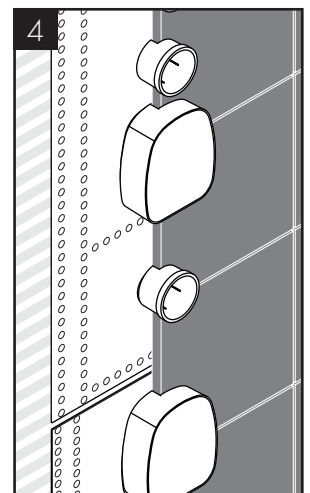
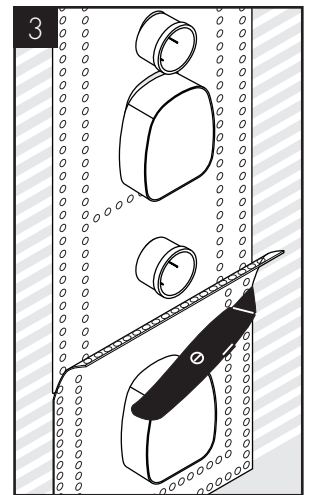
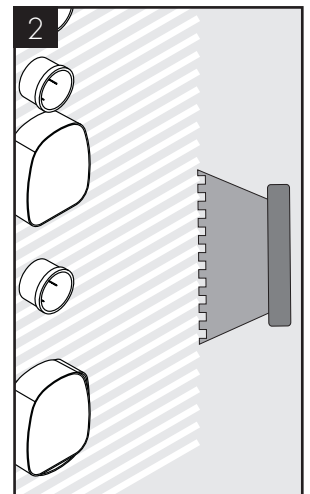
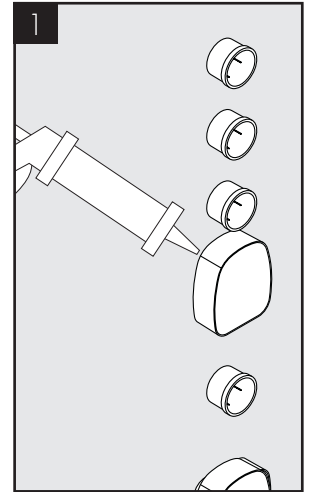
EN

1 Plaster the installed and tested basic components, or cover with panelling if installed on the exterior of the wall. After the plastered wall surface has dried, fill the seam between the wall and the plastic housing with silicone (free of acetic acid).

2 Apply PCI-Lastogum or similar sealing compound on the wall in accordance with manufacturers indications.

3 Cut sealing collar to size
NOTE! Sealing collars must not overlap Place a sealing collar over the plastic housing and press it into the glue and the silicone.

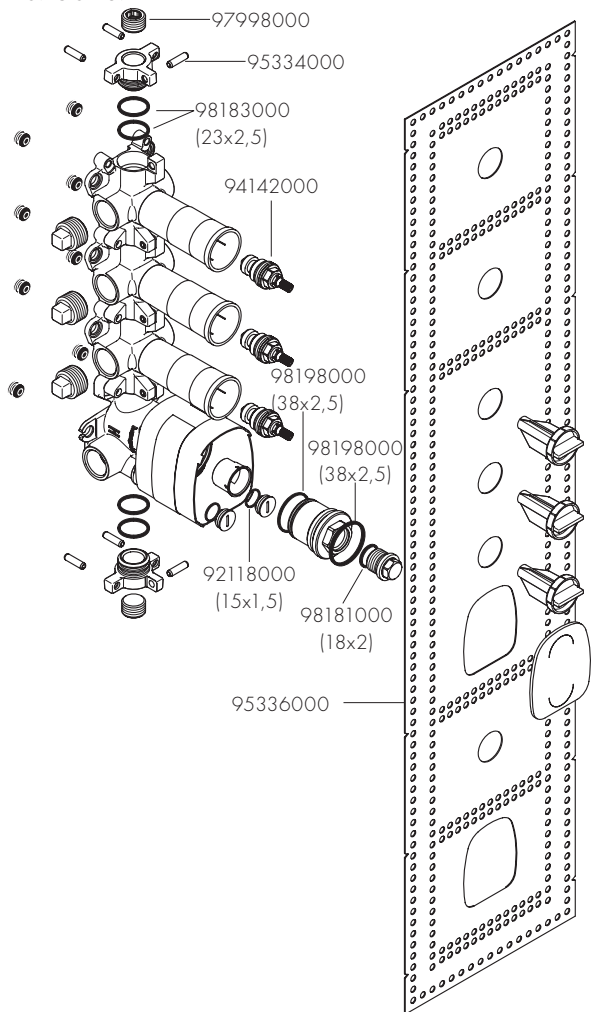
4 IMPORTANT! The gasket is not suitable for hot glue.





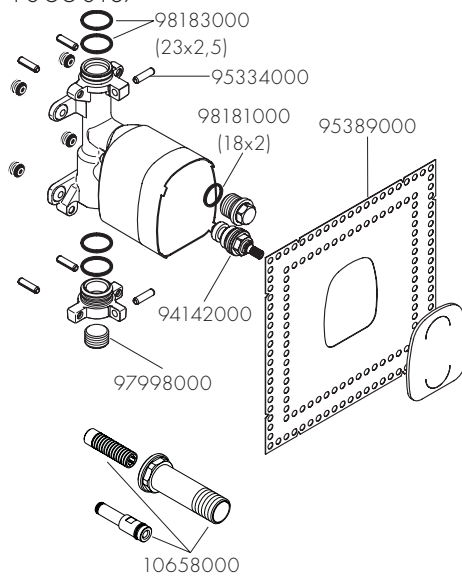
AXOR ShowerCollection

10750187



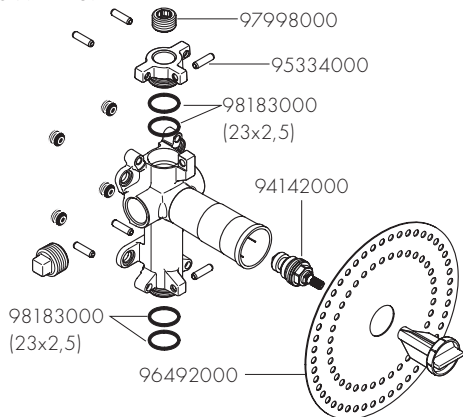
AXOR ShowerCollection

10650187



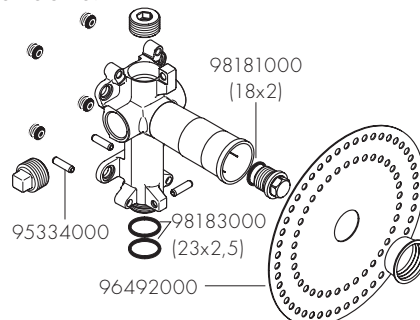
AXOR ShowerCollection

10971187



AXOR ShowerCollection

28486187



AXOR

AXOR / Hansgrohe SE
Austraße 5-9
77761 Schiltach
Deutschland

info@axor-design.com
axor-design.com

11/2018
9.04829.52